

**READ BEFORE USE
LIRE AVANT UTILISATION
LEA ANTES DE USAR**

Visit www.hamiltonbeach.com for our complete line of products and Use and Care Guides – as well as delicious recipes, tips, and to register your product online!

Rendez-vous sur www.hamiltonbeach.ca pour notre liste complète de produits et de nos manuels utilisateur – ainsi que nos délicieuses recettes et nos conseils !

¡Visite www.hamiltonbeach.com (EE. UU.) o www.hamiltonbeach.com.mx (México) para ver otros productos de Hamilton Beach o para contactarnos!

Questions?

Please call us – our friendly associates are ready to help.
USA: 1.800.851.8900

Questions ?

N'hésitez pas à nous appeler – nos associés s'empresseront de vous aider.
CAN : 1.800.267.2826

¿Preguntas?

Por favor llámenos – nuestros amables representantes están listos para ayudar.

EE. UU.: 1.800.851.8900

MEX: 01 800 71 16 100

Le invitamos a leer cuidadosamente este instructivo antes de usar su aparato.

Hamilton Beach®

Digital Simplicity™ Rice Cooker & Food Steamer 4–20 Cup Food Capacity

Cuiseur de riz et marmite à vapeur Digital Simplicity™
Capacité de 946 ml à 4,7 L

Arrocera y Vaporera Digital Simplicity™
Capacidad para Alimento de 4 a 20 Tazas



English 2
Français 17
Español 33

IMPORTANT SAFEGUARDS

When using electrical appliances, basic safety precautions should always be followed to reduce the risk of fire, electric shock, and/or injury to persons, including the following:

1. Read all instructions.
2. This appliance is not intended for use by persons (including children) with reduced physical, sensory, or mental capabilities, or lack of experience and knowledge, unless they are closely supervised and instructed concerning use of the appliance by a person responsible for their safety.
3. Close supervision is necessary when any appliance is used by or near children. Children should be supervised to ensure that they do not play with the appliance.
4. Do not touch hot surfaces. Use handles or knobs. Use pot holders when removing hot containers.
5. To protect against a risk of electrical shock, do not immerse cord, plug, or base in water or other liquid.
6. Unplug from outlet when not in use. Unplug and allow to cool before putting on or taking off parts, and before cleaning.
7. Do not operate any appliance with a damaged cord or plug or after the appliance malfunctions, has been dropped or damaged in any manner. Call our toll-free customer service number for information on examination, repair, or adjustment.
8. The use of accessory attachments not recommended by the appliance manufacturer may cause injuries.
9. Do not use outdoors.
10. Do not let cord hang over edge of table or counter or touch hot surfaces, including the stove.
11. Do not place on or near a hot gas or an electric burner, or in a heated oven.
12. Extreme caution must be used when moving an appliance containing hot oil, food, water, or other hot liquids.
13. To disconnect, press **CANCEL (O)**; then remove plug from wall outlet.
14. Do not use appliance for other than intended use.
15. Lift and open cover carefully to avoid scalding, and allow water to drip into the cooker.
16. **CAUTION:** Risk of electric shock. Cook only in removable container.
17. Do not place the unit directly under cabinets when operating as this product produces large amounts of steam. Avoid reaching over the product when operating.

SAVE THESE INSTRUCTIONS!

Other Consumer Safety Information

This appliance is intended for household use only.

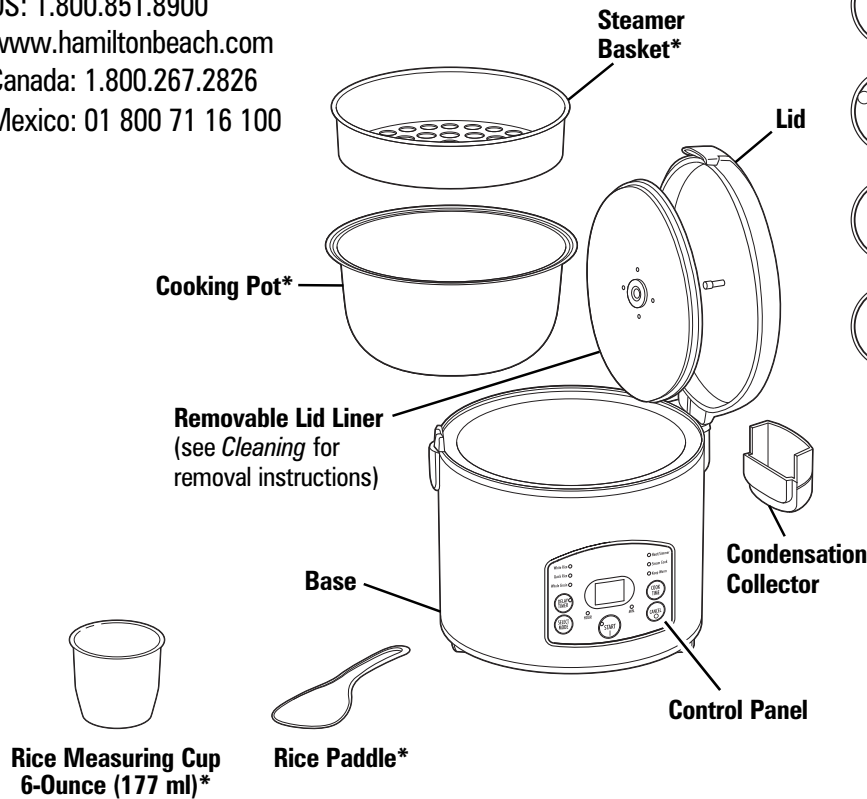
WARNING! Shock Hazard: This appliance has a polarized plug (one wide blade) that reduces the risk of electric shock. The plug fits only one way into a polarized outlet. Do not defeat the safety purpose of the plug by modifying the plug in any way or by using an adapter. If the plug does not fit fully into the outlet, reverse the plug. If it still does not fit, have an electrician replace the outlet.

The length of the cord used on this appliance was selected to reduce the hazards of becoming tangled in or tripping over a longer cord. If a longer cord is necessary, an approved extension cord may be used. The electrical rating of the extension cord must be equal to or greater than the rating of the appliance. Care must be taken to arrange the extension cord so that it will not drape over the countertop or tabletop where it can be pulled on by children or accidentally tripped over.

To avoid an electrical circuit overload, do not use another high-wattage appliance on the same circuit with your appliance.

Parts and Features

*To order parts:
 US: 1.800.851.8900
 www.hamiltonbeach.com
 Canada: 1.800.267.2826
 Mexico: 01 800 71 16 100



Use to delay the start time (up to 15 hours) for any function EXCEPT Keep Warm.



Press to turn the cooker off.



Press to start cooking.



Use to set cooking time for Steam Cook and Heat/Simmer modes only.



Use to select rice or cooking type.

WHITE RICE: Use to cook white rice for a preprogrammed cook time.

QUICK RICE: Use to cook rice faster. This program eliminates the rice soak cycle.

WHOLE GRAIN: Use to cook brown rice or other grains (any other than white rice) for a preprogrammed cook time.

HEAT/SIMMER: Use with prepackaged rice mixes, soups, stews, beans, oats, hot cereals, grits, or any other food that requires a heat and then simmer. This function will heat and then simmer for the selected period of time.

STEAM COOK: Use to steam food for a selected steam time. Steaming time can be set from 0 (to just boil water) to 30 minutes.

KEEP WARM: Unit automatically shifts to Keep Warm function after every function EXCEPT Steam Cook.

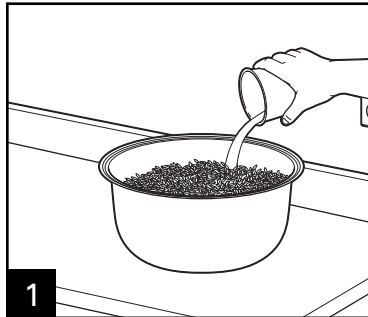
How to Make Rice

⚠ WARNING Electrical Shock Hazard. Cook only in removable cooking pot. Never place water or food directly into the base.

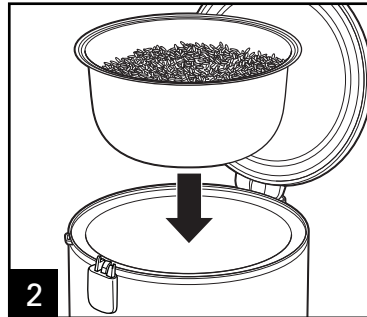
BEFORE FIRST USE: Wash cooking pot following *Cleaning* instructions; dry thoroughly.

RICE MEASURING CUP INFORMATION

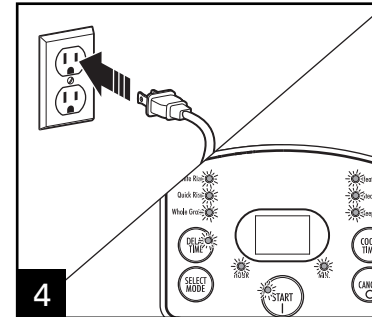
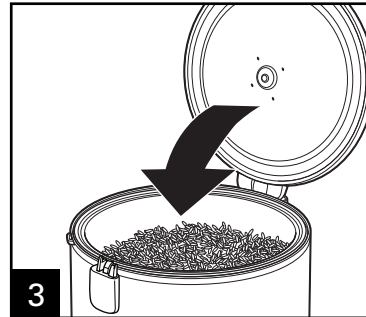
NOTE: Do not throw away the rice measuring cup that comes with your unit. This is an important tool in using your rice cooker successfully and its size is standard in the rice industry. One rice measuring cup equals 6 oz. (177 ml) or approximately 3/4 cup U.S. standard.



1 Add desired amount of uncooked rice to pot; then fill with water to corresponding water line or follow package directions. Example: If you add 3 level rice cups of rice to the cooking pot, add water to the "3" line of the cooking pot. **DO NOT** exceed 10-cup MAX fill line.



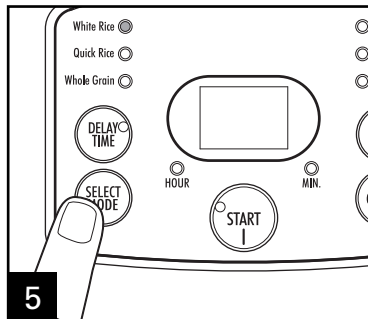
2 Carefully place cooking pot straight down on base. Make sure cooking pot is securely seated by rotating the pot left and right. **NOTE:** Make sure bottom of cooking pot is not bent or warped, or it will not conduct heat correctly.



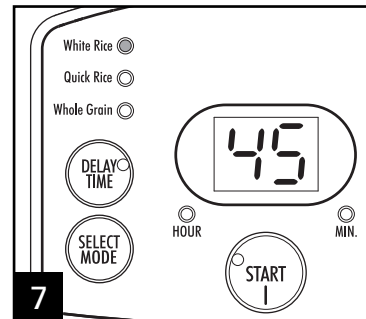
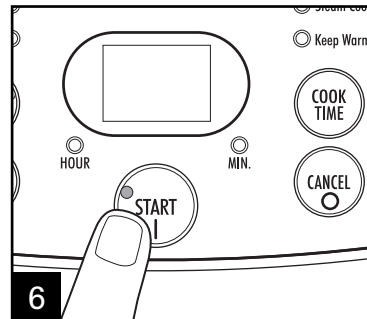
4 Plug into wall outlet; all lights will flash on control panel. If program is not selected, **OR** after pressing **CANCEL (O)**, the rice cooker control panel will flash for 15 seconds and the rice cooker will turn off.

4

How to Make Rice (cont.)



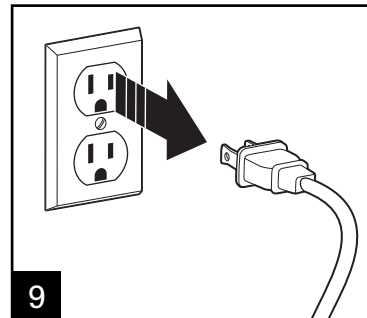
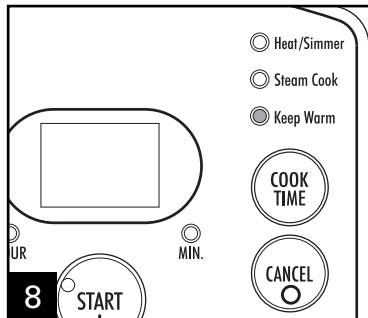
Press **SELECT MODE** to select White Rice, Quick Rice, or Whole Grain function. Light will glow for function selected. For packaged rice mixes, see *How to Set Heat/Simmer*. Press **START (I)** to start cooking OR unit will start automatically in 5 seconds.



Once a mode is selected, the default time for that mode is displayed. The digital rice cooker will adjust the cooking time throughout the cooking cycle based on the amount of rice and moisture in the cooker. You may notice that the cooker will place a hold on the time or significantly decrease cooking time as the moisture content changes.

NOTE: Empty condensation collector as needed during cooking.

TIP: Quick Rice can make white rice or whole grains.



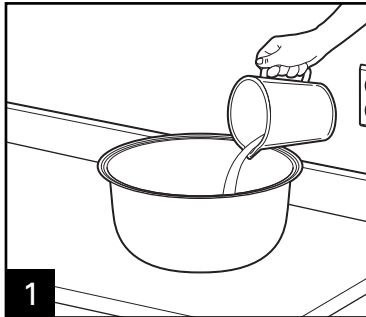
When finished cooking, cooker will switch to Keep Warm and light will glow. Display will track Keep Warm time for up to 12 hours. After 12 hours, the rice cooker will turn off. OR, press **CANCEL (O)** to turn off.

TIP: If you prefer a softer rice, let cooked rice rest on Keep Warm at least 10 to 15 minutes.

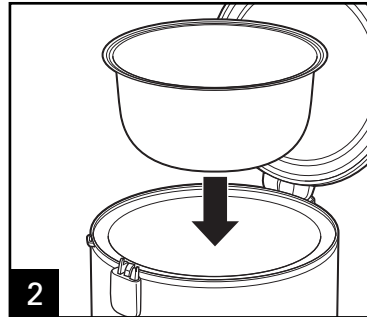
WARNING! Burn Hazard: Never use lid handle to carry cooker when contents are hot. Steam from steam vent can cause injury.

How to Steam Food

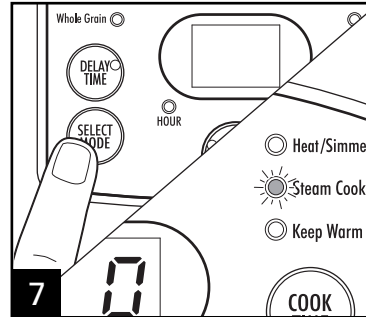
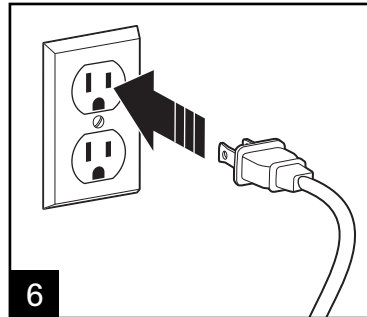
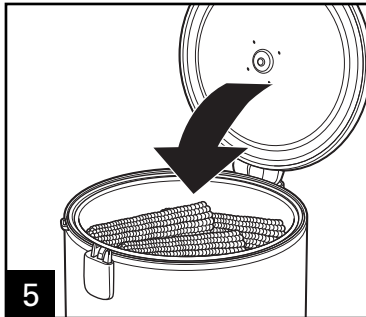
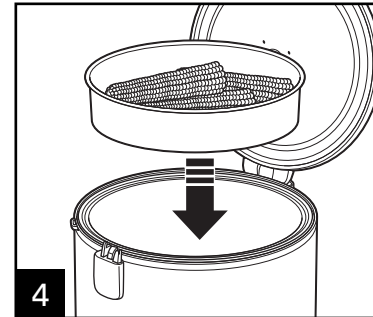
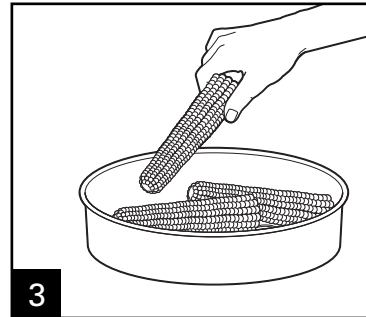
⚠ WARNING Electrical Shock Hazard. Cook only in removable cooking pot and steamer basket. Never place water or food directly into the base. **BEFORE FIRST USE:** Wash cooking pot following *Cleaning* instructions; dry thoroughly.



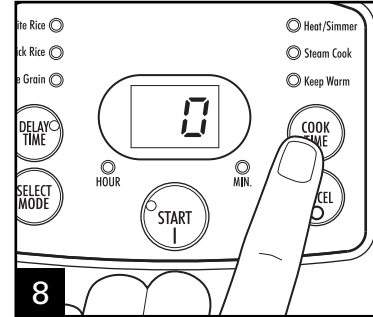
1 Pour desired amount of water in cooking pot.



2 Carefully place cooking pot straight down on base. Make sure cooking pot is securely seated by rotating the pot left and right.



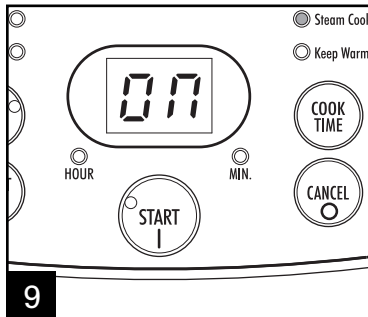
7 Press **SELECT MODE** until Steam Cook glows.



8 Press **COOK TIME** to set the steam time from 0 to 30 minutes. Press **START (I)**.

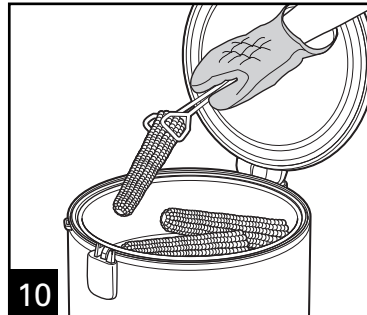
6

How to Steam Food (cont.)

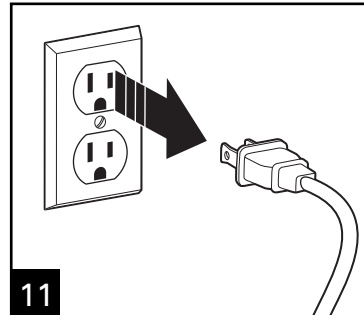


9 Display will show "ON" during heating, and display will count down set time once steaming has begun.

WARNING! Burn Hazard: Never use lid handle to carry cooker when contents are hot. Steam from steam vent can cause injury.

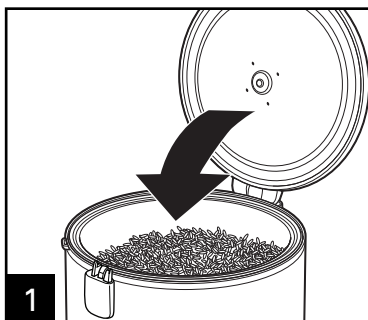


10 **NOTE:** If pot boils dry, rice cooker will beep and the remaining time will flash in display. To continue Steam Cook, add more water. Unit will resume steaming if water is added before 3 minutes. After 3 minutes, press **CANCEL (O)** to cancel steam function. Press **SELECT MODE** until Steam Cook glows and set the Cook Time.

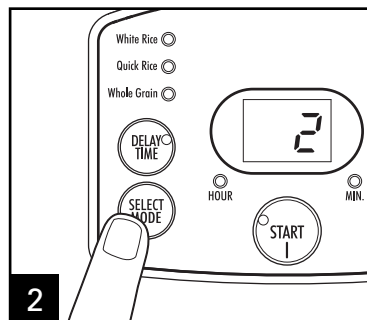


11

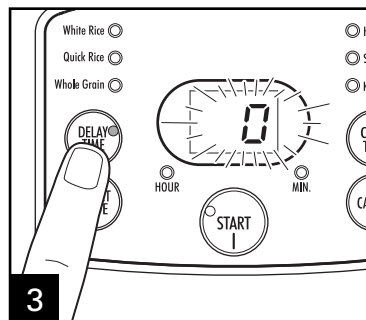
How to Set Delay Start Time



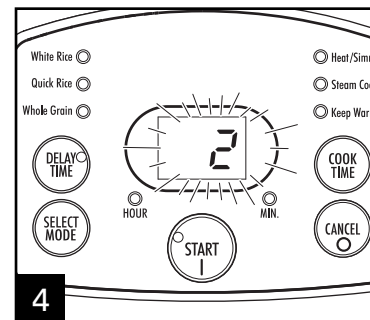
1 Delay Time can be used with White Rice, Whole Grain, Heat/Simmer, and Steam Cook. Place water and food items in cooking pot or food in steamer basket. See *How to Steam Food*.



2 Press **SELECT MODE** to set cooking function. Set time if using Heat/Simmer or Steam Cook.



3 Press **DELAY TIME**. The display will flash "0." Continue to press **DELAY TIME** to set delay time from 1 to 15 hours. Press **START (I)** to begin delay start countdown or rice cooker will automatically start after 5 seconds.



4 The display will flash and then begin counting down the set delay time. After cooking is complete, the rice cooker will go to Keep Warm (except for Steam Cook).

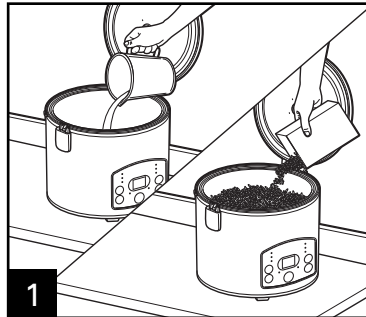
NOTES:

- Cooking/steaming will begin once the unit has completed the delay time countdown.
- This function is ideal for soaking and cooking dried beans.

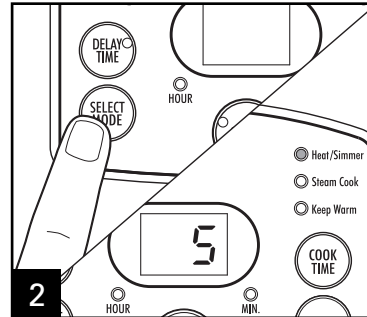
How to Set Heat/Simmer

⚠ WARNING Electrical Shock Hazard. Cook only in removable cooking pot and steamer basket. Never place water or food directly into the base.

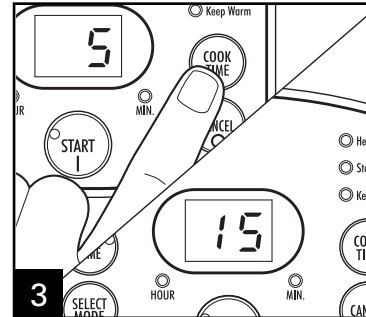
BEFORE FIRST USE: Wash cooking pot following *Cleaning* instructions; dry thoroughly.



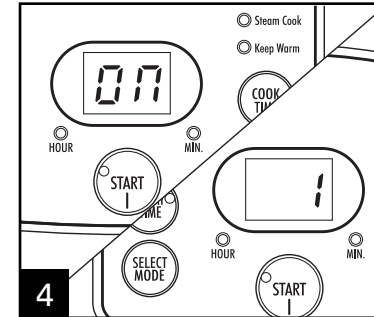
1 Place water and desired contents into cooking pot.



Press **SELECT MODE** until Heat/Simmer is illuminated. "5" will appear in the display. (5 minutes is the minimum amount of time.)
NOTE: The simmer time can be set for up to 5 hours. Set Heat/Simmer time in 1-minute increments up to 90. After 90 minutes, set in 1-hour increments up to 5.



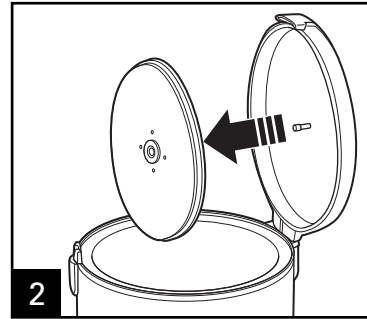
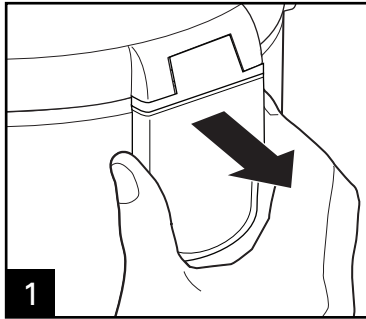
Press **COOK TIME** until desired amount of "simmer" time is selected. Press **START (I)** or the rice cooker will automatically start after 5 seconds. The cooker will heat the contents and then simmer for the selected amount of time.



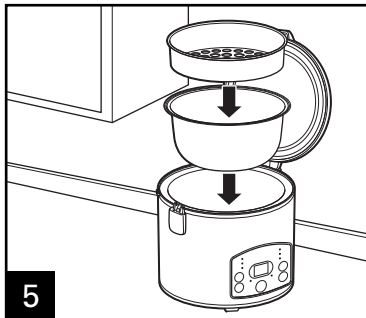
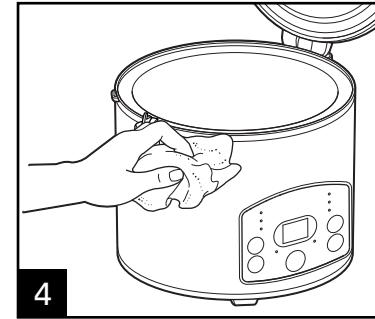
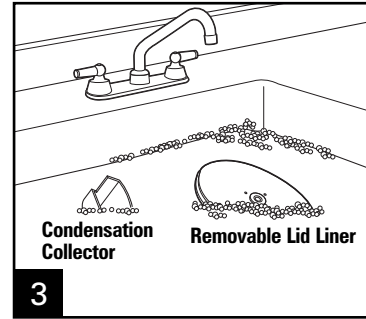
Display will show "ON" during heating and will count down set time once simmering has begun. After simmer time is complete, the cooker will automatically switch to Keep Warm.
NOTE: The rice cooker starts heating liquids immediately. The start of actual simmering depends on the amounts of liquid and food placed in the rice cooker.
WARNING! Burn Hazard: Never use lid handle to carry cooker when contents are hot. Steam from steam vent can cause injury.

Cleaning

⚠ WARNING Electrical Shock Hazard.
Do not immerse base, cord, or plug in water or other liquid.



Lid liner may be removed to wash by hand.



DO NOT use the "SANI" setting when washing in the dishwasher. "SANI" cycle temperatures could damage your product.

Vegetable Steaming Chart and Tips

TYPE OF VEGETABLE	SETTING	AMOUNT OF WATER	COOK TIME
Softer Vegetables (ex. zucchini, squash)	Steam Cook	Fill pot to "4" line	4–7 minutes
Firmer Vegetables (ex. broccoli, corn on the cob, carrots)	Steam Cook	Fill pot to "4" line	7–15 minutes

- The more vegetables added to the steamer basket, the longer the steam time should be.
- Smaller pieces of vegetables will steam faster than larger pieces.
- Allowing rice to "rest" for approximately 5–10 minutes after cooking will yield better-textured rice.
- Give vegetables or rice a flavor boost by substituting an equal amount of chicken/beef/vegetable broth for water.

- Note that the steam times listed here are approximate and for reference only.
- Cook time may vary from the programmed time based on actual amounts of ingredients and water. The rice cooker will adjust time as necessary.

Recipes

Dried Beans

1 pound (454 g) dried beans (any variety)
8 cups (1.9 L) water
1/8 teaspoon (0.6 ml) baking soda
1 medium onion, quartered
1 Tablespoon (15 ml) olive oil
Salt and pepper to taste

Sort beans by removing any pebbles or stems. Place beans in colander and rinse well. Place beans into cooking pot. Add water, baking soda, onion, and olive oil.

Set Cooker: Delay Start (at least 6 hours or overnight)
Heat/Simmer: 1 1/2 hours

Season with salt and pepper to taste.

Servings: 12

Lentil Soup

2 Tablespoons (30 ml) olive oil
1 cup (237 ml) carrot, finely chopped
1 cup (237 ml) celery, finely chopped
2 teaspoons (10 ml) kosher salt
1 (16-ounce/454-g) bag lentils, picked and rinsed
1 (14.5-ounce/411-g) can fire-roasted tomatoes, crushed
2 quarts (1.9 L) chicken or vegetable broth
1/2 teaspoon (2.5 ml) ground coriander
1/2 teaspoon (2.5 ml) ground cumin

Rinse lentils. Place all ingredients in cooking pot; stir gently to combine.

Set Cooker: Heat/Simmer: 45 minutes

Season with additional salt and pepper to taste.

Servings: 6–8

Recipes (cont.)

Tex-Mex Rice

3 cups (710 ml) water
1/4 cup (59 ml) chopped cilantro
2 jalapeño peppers, seeded
3 cups (710 ml) white long-grain rice
4 ears corn, cut from cob
1/8 teaspoon (0.6 ml) ground cumin
24-ounce (710-ml) jar of salsa

Place 3 cups (710 ml) water, cilantro, and peppers into blender. Process until all ingredients are well-chopped. Place mixture from blender and remaining ingredients into cooking pot.

Set Cooker: White Rice

Servings: 6

Overnight Oatmeal

2 cups (473 ml) old-fashioned oatmeal
4 cups (946 ml) water
1/2 cup (118 ml) dried apples, chopped
Dash salt
1/4 teaspoon (1.2 ml) cinnamon
Sugar or sweetener, to taste
2 Tablespoons (30 ml) butter, optional

Place oatmeal, water, dried apples, salt, and cinnamon into cooking pot.

Set Cooker: Delay Start (at least 6 hours or overnight)

Heat/Simmer: 5 minutes

Optional: Stir in sugar and butter.

NOTE: This recipe may be made immediately (without using delay option), if desired.

Servings: 4

Test Kitchen Tip: Replace old-fashioned oatmeal with steel-cut oats. Use Delay Start and set cook time for 15 minutes on Heat/Simmer.

Recipes (cont.)

Steamed Salmon with Brown Rice

2 salmon fillets (wild Alaskan, 3–4 ounces/85–113 g each)
2 teaspoons (10 ml) ground ginger
3 Tablespoons (44 ml) low-sodium soy sauce
1 garlic clove, minced
2 teaspoons (10 ml) dark brown sugar
1/2 teaspoon (2.5 ml) chili flakes
1 green onion or shallot, sliced
Salt and pepper, to taste
Brown rice (uncooked)

Place steamer basket on plate (to catch any drippings). Mix ginger, soy sauce, garlic, dark brown sugar, and chili flakes. Rub fish fillets with mixture and place in refrigerator to marinate for approximately 30 minutes.

Measure brown rice and water according to desired servings/package directions. Chicken or vegetable stock/broth may also be substituted for water.

Set Cooker: Whole Grain—after approximately 30–35 minutes, lift cover and add steamer basket with salmon fillets.

Cook an additional 8–10 minutes or until salmon flakes easily with a fork. Serve salmon over rice and sprinkle with sliced green onion.

Servings: 2

Steamed Shrimp with Vegetables

1 pound (454 g) large frozen shrimp
1 cup (237 ml) sugar snap peas
3/4 to 1 cup (177 to 237 ml) red bell pepper, sliced
1/2 to 3/4 cup (118 to 177 ml) onion, sliced
1 cup (237 ml) chopped pineapple (in juice)
1 (12-ounce/355-ml) bottle teriyaki sauce (or other desired sauce)
White rice (uncooked)

Place desired amount of white rice and water into cooking pot.

Set Cooker: White Rice

While rice is cooking, chop vegetables and thaw shrimp under cold running water. After approximately 30–35 minutes, place shrimp and vegetables into steamer basket and place basket into cooker.

Cook approximately 10 minutes or until shrimp are opaque and veggies slightly tender. When cooking cycle is completed, toss shrimp, vegetables, pineapple, and rice with teriyaki sauce and serve.

Servings: 4

Troubleshooting

PROBLEM	PROBABLE CAUSE/SOLUTION
Cooker doesn't turn on.	<ul style="list-style-type: none">• Cooker is not plugged in. Make sure rice cooker is plugged into a properly operating electrical outlet.
Rice is not cooked.	<ul style="list-style-type: none">• Not enough water/cooking liquid. Follow package directions.• Carefully place cooking pot straight down in base. Make sure cooking pot is securely seated by rotating the pot left and right. NOTE: If cooking pot is bent or warped, it will not seat properly in base and, therefore, will not conduct heat correctly. To replace cooking pot, call the toll-free Customer Assistance number listed on the cover of this guide.• Let rice rest for 10 to 15 minutes after cooking is complete and rice cooker has switched to Keep Warm.
Rice is mushy.	<ul style="list-style-type: none">• Too much liquid added to cooking pot. Reduce liquid.
Rice cooker starts to "beep" during Steam Cook.	<ul style="list-style-type: none">• Cooking pot has boiled dry. Add more water and select Steam Cook function to continue steaming or press START (I).
Cooking pot not fitting.	<ul style="list-style-type: none">• Call the toll-free Customer Assistance number listed on the cover of this guide.
Display time skips minutes or holds time.	<ul style="list-style-type: none">• Rice cooker is adjusting time for the type of rice and amount of rice and moisture in the cooker. The rice cooker is working correctly. You may notice that the cooker will place a hold on the time or significantly decrease cooking time as the moisture content changes.

Limited Warranty

This warranty applies to products purchased and used in the U.S. and Canada. This is the only express warranty for this product and is in lieu of any other warranty or condition.

This product is warranted to be free from defects in material and workmanship for a period of five (5) years from the date of original purchase in Canada and one (1) year from the date of original purchase in the U.S. During this period, your exclusive remedy is repair or replacement of this product or any component found to be defective, at our option; however, you are responsible for all costs associated with returning the product to us and our returning a product or component under this warranty to you. If the product or component is no longer available, we will replace with a similar one of equal or greater value.

This warranty does not cover glass, filters, wear from normal use, use not in conformity with the printed directions, or damage to the product resulting from accident, alteration, abuse, or misuse. This warranty extends only to the original consumer purchaser or gift recipient. Keep the original sales receipt, as proof of purchase is required to make a warranty claim. This warranty is void if the product is used for other than single-family household use or subjected to any voltage and waveform other than as specified on the rating label (e.g., 120V ~ 60 Hz).

We exclude all claims for special, incidental, and consequential damages caused by breach of express or implied warranty. All liability is limited to the amount of the purchase price. **Every implied warranty, including any statutory warranty or condition of merchantability or fitness for a particular purpose, is disclaimed except to the extent prohibited by law, in which case such warranty or condition is limited to the duration of this written warranty.** This warranty gives you specific legal rights. You may have other legal rights that vary depending on where you live. Some states or provinces do not allow limitations on implied warranties or special, incidental, or consequential damages, so the foregoing limitations may not apply to you.

To make a warranty claim, do not return this appliance to the store. Please call 1.800.851.8900 in the U.S. or 1.800.267.2826 in Canada or visit hamiltonbeach.com in the U.S. or hamiltonbeach.ca in Canada. For faster service, locate the model, type, and series numbers on your appliance.

PRÉCAUTIONS IMPORTANTES

Pour utiliser un appareil électroménager, vous devez toujours prendre des mesures élémentaires de sécurité pour réduire le risque d'incendie, d'électrocution et/ou de blessure corporelle, en particulier les mesures suivantes :

1. Lire toutes les instructions.
2. Cet appareil n'est pas destiné à être utilisé par des personnes (y compris les enfants) dont les capacités physiques, sensorielles ou mentales sont réduites, ou manquant d'expérience et de connaissance, sauf si elles sont étroitement surveillées et instruites sur l'utilisation de l'appareil par une personne responsable de leur sécurité.
3. Une surveillance étroite est requise pour tout appareil utilisé par ou près des enfants. Surveiller que les enfants ne jouent pas avec l'appareil.
4. Ne pas toucher les surfaces chaudes. Utiliser les poignées ou les boutons. Utiliser des sous-plats pour déposer les récipients chauds.
5. Pour éviter les risques d'électrocution, ne pas immerger le cordon, la fiche ou la base dans l'eau ou tout autre liquide.
6. Débrancher la fiche de la prise murale dès la fin de l'utilisation. Débrancher et laisser refroidir l'appareil avant d'installer ou de retirer des pièces et avant de le nettoyer.
7. Ne pas faire fonctionner aucun appareil dont le cordon ou la fiche est endommagé ou suite à un dysfonctionnement de l'appareil, s'il est tombé ou endommagé de quelque manière que ce soit. Appeler notre numéro sans frais de service à la clientèle pour des renseignements concernant l'examen, la réparation ou l'ajustement.
8. L'utilisation d'accessoires non recommandés par le fabricant d'électroménagers peut causer des blessures.
9. Ne pas utiliser à l'extérieur.
10. Ne pas laisser pendre le cordon de la table ou du comptoir et éviter que le cordon n'entre en contact avec des surfaces chaudes, y compris la cuisinière.
11. Ne pas placer sur ou près de surfaces chaudes comme un brûleur électrique ou à gaz ou un four chaud.
12. Exercer une très grande prudence lors du déplacement d'un appareil contenant de l'huile et des aliments chauds, de l'eau ou tout autre liquide chaud.
13. Pour débrancher, appuyer **CANCEL** (annuler/O) puis débrancher de la prise murale.
14. N'utiliser cet appareil que pour les fonctions auxquelles il est destiné.
15. Soulever et ouvrir le couvercle avec précaution pour éviter l'échaudage et permettre l'égouttement de l'eau dans le cuiseur.
16. **MISE EN GARDE** : Risque d'électrocution. Cuire uniquement dans le pot de cuisson amovible.
17. Ne pas placer l'appareil directement sous les armoires pendant le fonctionnement, car cet appareil dégage une grande quantité de vapeur. Éviter de tendre la main pour atteindre l'appareil pendant le fonctionnement.

CONSERVER CES INSTRUCTIONS !

Autres consignes de sécurité pour le consommateur

Cet appareil est conçu pour une utilisation domestique seulement.

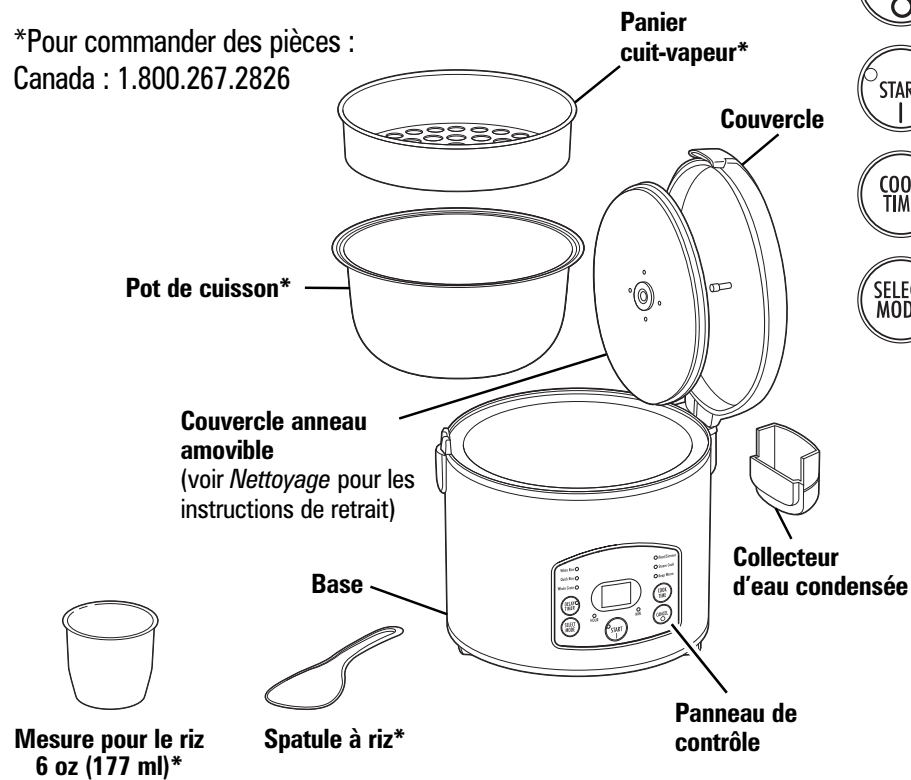
AVERTISSEMENT ! Risque d'électrocution : Cet appareil électroménager possède une fiche polarisée (une broche large) qui réduit le risque d'électrocution. Cette fiche n'entre que dans un seul sens dans une prise polarisée. Ne contrecarrez pas l'objectif sécuritaire de cette fiche en la modifiant de quelque manière que ce soit ou en utilisant un adaptateur. Si vous ne pouvez pas insérer complètement la fiche dans la prise, inversez la fiche. Si elle refuse toujours de s'insérer, faire remplacer la prise par un électricien.

La longueur du cordon installé sur cet appareil a été sélectionnée afin de réduire les risques d'enchevêtrement ou de faux pas causés par un fil trop long. L'utilisation d'une rallonge approuvée est permise si le cordon est trop court. Les caractéristiques électriques de la rallonge doivent être équivalentes ou supérieures aux caractéristiques de l'appareil. Prendre toutes les précautions nécessaires pour installer la rallonge de manière à ne pas la faire courir sur le comptoir ou sur une table pour éviter qu'un enfant ne tire sur le cordon ou trébuche accidentellement.

Pour éviter la surcharge du circuit électrique, ne pas utiliser un autre appareil à haute puissance sur le même circuit que cet appareil.

Pièces et caractéristiques

*Pour commander des pièces :
Canada : 1.800.267.2826



Utiliser pour différer la mise en marche (jusqu'à 15 heures) de toutes les fonctions SAUF Keep Warm (garde au chaud).



Appuyer pour mettre le cuiseur hors tension.



Appuyer pour commencer la cuisson.



Pour régler la durée de cuisson pour les modes de Steam Cook (cuisson à la vapeur) et Heat/Simmer (cuire/mijoter) seulement.



Pour choisir le type de riz ou de cuisson.

WHITE RICE (riz blanc) : Utiliser pour cuire le riz blanc selon une durée de cuisson préprogrammée.

QUICK RICE (cuisson rapide) : Pour cuire le riz plus rapidement. Ce programme passe le cycle de trempage du riz.

WHOLE GRAIN (grain entier) : Utiliser pour cuire le grain brun ou autres grains (autre que le riz blanc) selon une durée de cuisson préprogrammée.

HEAT/SIMMER (cuire/mijoter) : Utiliser pour les emballages préparés de riz, soupes, ragoûts, fèves, avoines, céréales chaudes, gruaux ou tout autre aliment préparé à chauffer ou mijoter. Cette fonction chauffera et puis cuisson lente selon la durée sélectionnée.

STEAM COOK (cuisson à la vapeur) : Utiliser pour cuire les aliments à la vapeur selon une durée de cuisson à la vapeur choisie. La durée de cuisson à la vapeur peut être réglée de 0 (uniquement pour bouillir l'eau) à 30 minutes.

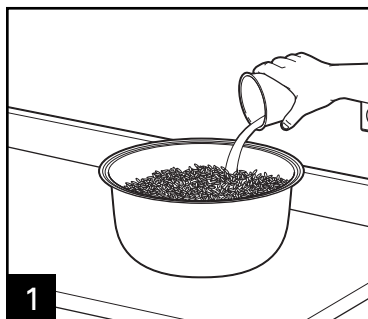
KEEP WARM (garde au chaud) : L'appareil passera automatiquement à la fonction Keep Warm (garde au chaud) après chaque fonction SAUF pour Steam Cook (cuisson à la vapeur).

Cuisson du riz

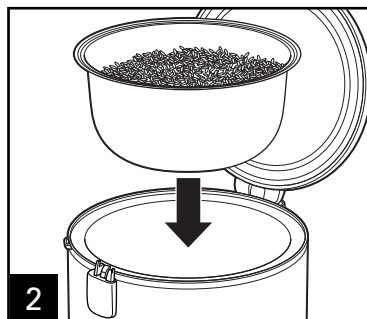
⚠ AVERTISSEMENT Risque d'électrocution. Cuire les aliments uniquement dans le pot de cuisson amovible. Ne jamais verser d'eau ou déposer des aliments directement dans la base.
AVANT LA PREMIÈRE UTILISATION : Laver le pot de cuisson en suivant les instructions au chapitre *Nettoyage* ; assécher complètement.

INFORMATION À PROPOS À LA TASSE DU MESUREUR DE RIZ

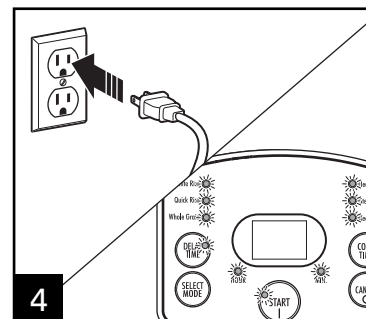
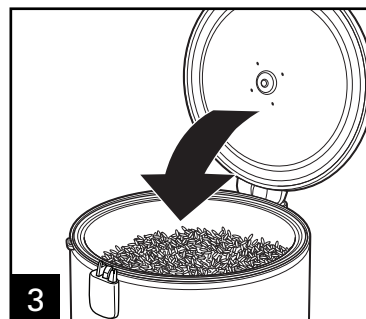
REMARQUE : Ne pas jeter la tasse du mesureur de riz qui accompagne votre appareil. Le mesureur est un accessoire important pour l'utilisation optimale du cuiseur de riz grâce à son format conforme à l'industrie du riz. Une tasse du mesureur de riz n'est pas équivalente à une tasse à mesurer basée sur le système de mesures américain (le mesureur de riz en plastique contient environ 6 oz. [177 ml] ou 3/4 de tasse).



1 Ajouter la quantité de riz cru désirée dans le pot de cuisson. Remplir d'eau jusqu'à la ligne de remplissage d'eau correspondante ou suivre le mode d'emploi sur l'emballage. Exemple : Pour 3 mesures de riz ajoutées au cuiseur de riz, ajouter de l'eau jusqu'à la ligne « 3 » du pot de cuisson. Ne pas excéder le niveau de remplissage MAX de 10 tasses.

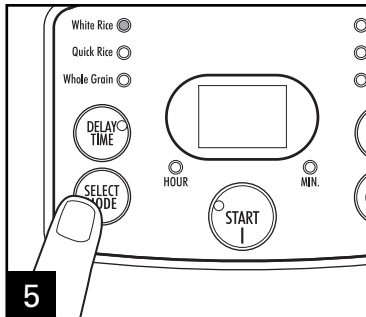


2 Déposer délicatement le pot de cuisson dans la base. S'assurer que le pot de cuisson est solidement ancré en le tournant vers la gauche et vers la droite. **REMARQUE** : S'assurer que le fond du pot de cuisson n'est pas croché ou tordu, autrement le transfert de chaleur ne sera pas uniforme.

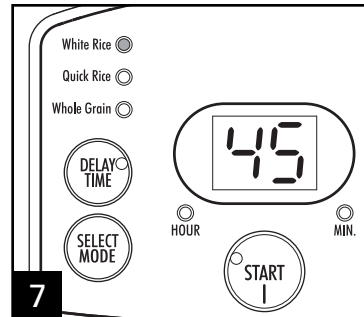
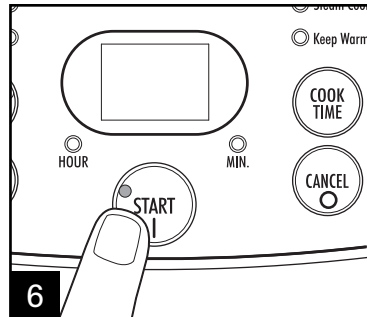


4 Brancher la fiche dans la prise de courant ; tous les témoins du panneau de commande clignoteront. Si aucun programme n'est sélectionné OU après avoir appuyé sur **CANCEL** (annuler/O), le panneau de commande du cuiseur de riz clignote pendant 15 secondes puis le cuiseur de riz s'éteint.

Cuisson du riz (suite)



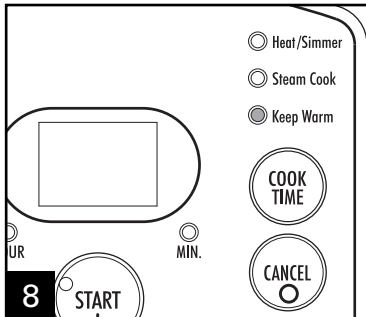
Appuyer sur **SELECT MODE** (choix d'un mode) pour choisir la fonction White Rice (riz blanc), Quick Rice (cuisson rapide) ou Whole Grain (grain entier). Le témoin clignotera selon la fonction choisie. Pour les mélanges de riz emballés, consulter le chapitre *Réglage pour cuire/mijoter*. Appuyer sur **START** (commencer/ I) pour commencer la cuisson **SINON** le cuiseur de riz se mettra automatiquement sous tension après 5 secondes.



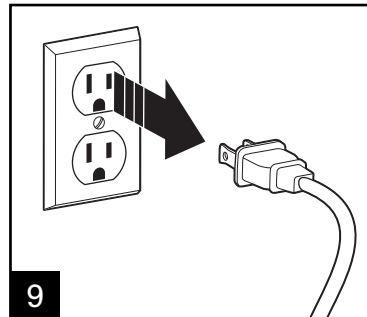
Une fois le mode sélectionné, la durée par défaut de ce mode s'affichera. Le cuiseur de riz numérique réglera la durée de cuisson pendant le cycle de cuisson selon la quantité de riz et d'humidité dans le cuiseur de riz. Il est possible que le cuiseur de riz effectue une pause de durée ou diminue considérablement la durée de cuisson dès qu'il détecte des modifications du contenu d'humidité.

REMARQUE : Vider le collecteur d'eau condensée au besoin pendant la cuisson.

CONSEIL : Le mode Quick Rice (cuisson rapide) peut cuire le riz blanc ou à grains entiers.



Lorsque la cuisson est terminée, le cuiseur passera automatiquement en mode Keep Warm (garde au chaud) et le voyant sera allumé. L'afficheur indiquera la durée de réchauffage jusqu'à 12 heures. Après 12 heures, le cuiseur de riz s'éteindra. OU, appuyer sur **CANCEL** (annuler/O) pour éteindre l'appareil. **CONSEIL** : Laisser reposer le riz au mode Keep Warm (garde au chaud) pendant au moins 10 à 15 minutes afin d'obtenir un riz plus tendre.

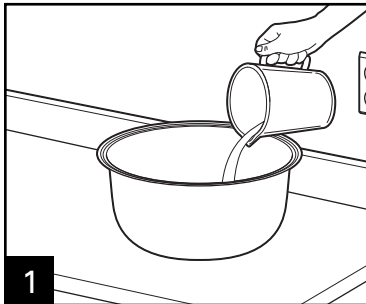


AVERTISSEMENT ! Risque de brûlure : Ne jamais utiliser la poignée pour transporter le cuiseur contenant des aliments chauds. La vapeur s'échappant de l'évent peut provoquer des blessures.

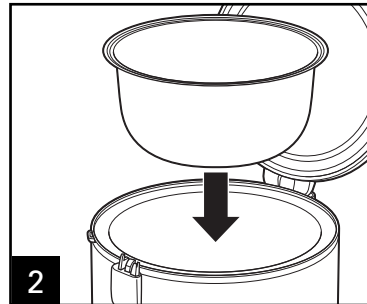
Cuisson des aliments à la vapeur

⚠ AVERTISSEMENT Risque d'électrocution. Cuire les aliments uniquement dans le pot de cuisson amovible et le panier cuit-vapeur. Ne jamais verser d'eau ou déposer des aliments directement dans la base.

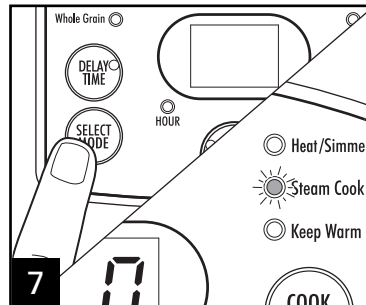
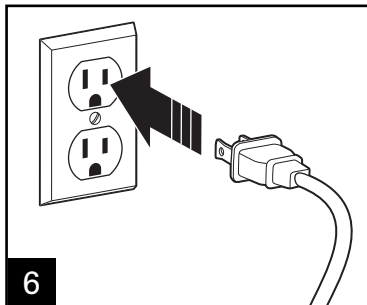
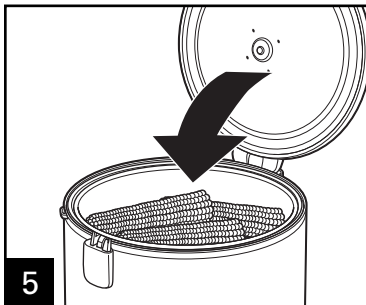
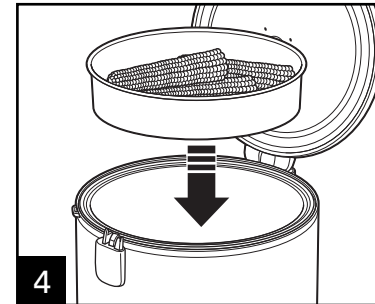
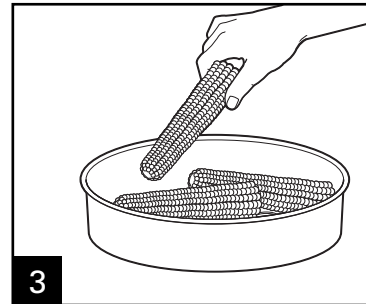
AVANT LA PREMIÈRE UTILISATION : Laver le pot de cuisson en suivant les instructions au chapitre *Nettoyage* ; assécher complètement.



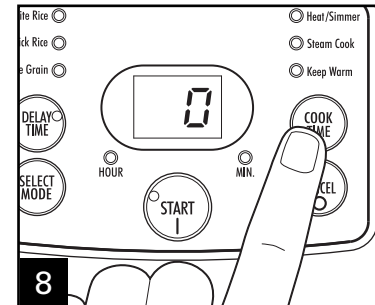
1 Verser la quantité désirée d'eau dans le pot de cuisson.



2 Déposer délicatement le pot de cuisson dans la base. S'assurer que le pot de cuisson est solidement ancré en le tournant vers la gauche et vers la droite.

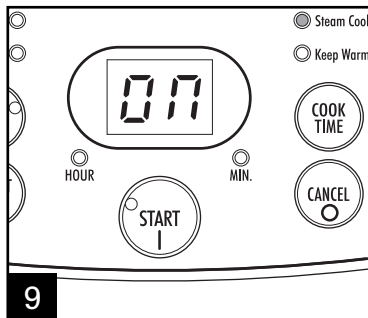


7 Appuyer sur **SELECT MODE** (choix d'un mode) jusqu'à ce que Steam Cook (cuisson à la vapeur) s'allume.



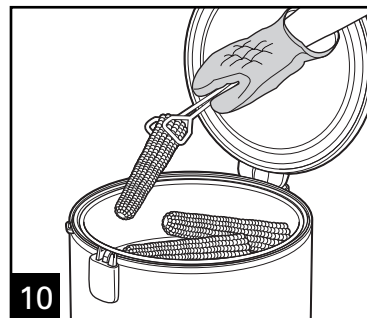
8 Appuyer sur **COOK TIME** (durée de cuisson) pour régler la durée de cuisson à la vapeur de 0 à 30 minutes. Appuyer sur **START** (commencer/I).

Cuisson des aliments à la vapeur (suite)

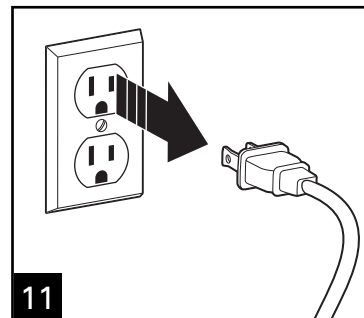


L'afficheur indiquera « ON » (en marche) pendant la cuisson et affichera la durée restante dès que la cuisson à la vapeur commence.

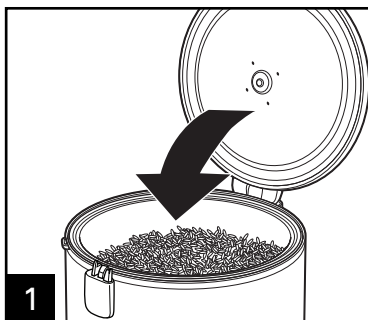
AVERTISSEMENT ! Risque de brûlure : Ne jamais utiliser la poignée pour transporter le cuiseur contenant des aliments chauds. La vapeur s'échappant de l'évent peut provoquer des blessures.



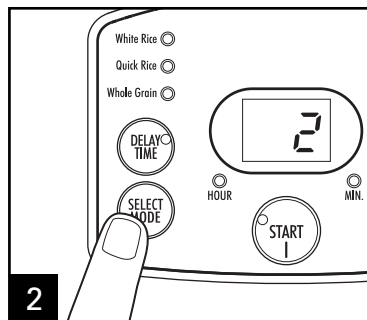
REMARQUE : S'il ne reste plus de vapeur dans le pot, le cuiseur de riz émettra un signal sonore et l'afficheur indiquera la durée résiduelle. Pour poursuivre Steam Cook (cuisson à la vapeur), ajouter de l'eau. L'appareil continuera la cuisson à la vapeur si l'eau est ajoutée avant les 3 minutes. Après 3 minutes, appuyer sur **CANCEL** (annuler/O) pour annuler la fonction de cuisson à la vapeur. Appuyer sur **SELECT MODE** (choix d'un mode) jusqu'à ce que Steam Cook (cuisson à la vapeur) s'allume puis régler Cook Time (durée de cuisson).



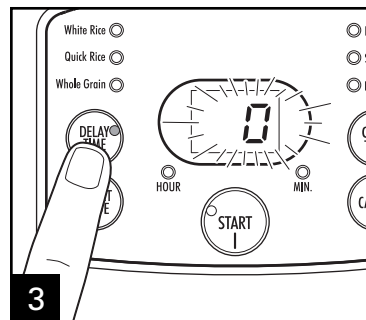
Réglage de la minuterie de mise en marche différée



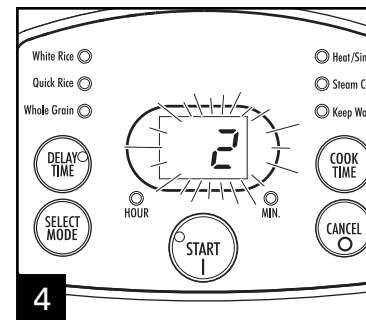
1 Delay Time (minuterie différée) peut être utilisée avec White Rice (riz blanc), Whole Grain (grain entier), Heat/Simmer (cuire/mijoter) et Steam Cook (cuisson à la vapeur). Place de l'eau et les aliments dans le pot de cuisson ou les aliments dans le panier cuit-vapeur. Voir *Cuisson des aliments à la vapeur*.



2 Appuyer sur **SELECT MODE** (choix d'un mode) pour régler la fonction de cuisson. Régler la durée en utilisant Heat/Simmer (cuire/mijoter) ou Steam Cook (cuisson à la vapeur).



3 Appuyer sur **DELAY TIME** (minuterie différée). L'afficheur clignotera « 0 ». Maintenir le bouton **DELAY TIME** (minuterie différée) pour différer la durée de 1 à 15 heures. Appuyer sur **START** (commencer/I) pour commencer le compte à rebours de la durée différée sinon le cuiseur de riz se mettra automatiquement sous tension après 5 secondes.



4 L'afficheur clignotera puis commencera le compte à rebours de la mise en marche différée réglée. Dès que la cuisson est terminée, le cuiseur de riz passera au Keep Warm (garde au chaud) (sauf pour le choix Steam Cook [cuisson à la vapeur]).

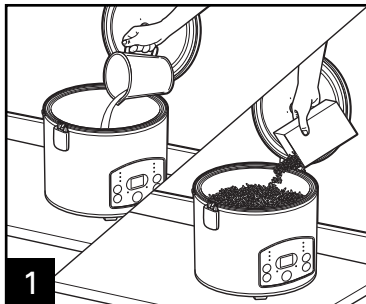
REMARQUES :

- La cuisson ou à la vapeur débutera lorsque l'unité a achevé le compte à rebours du délai.
- Cette fonction est idéale pour tremper et cuisiner a séché des haricots.

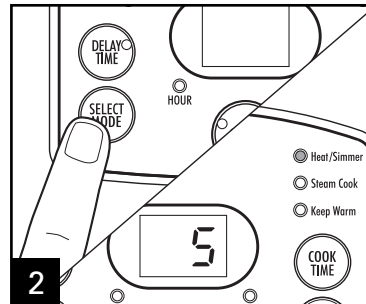
Réglage pour cuire ou mijoter

⚠ AVERTISSEMENT **Risque d'électrocution.** Cuire les aliments uniquement dans le pot de cuisson amovible et le panier cuit-vapeur. Ne jamais verser d'eau ou déposer des aliments directement dans la base.

AVANT LA PREMIÈRE UTILISATION : Laver le pot de cuisson en suivant les instructions au chapitre *Nettoyage* ; assécher complètement.

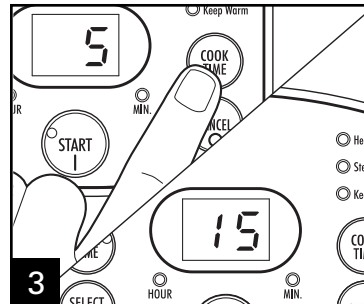


1 Verser l'eau et les ingrédients dans le pot de cuisson.

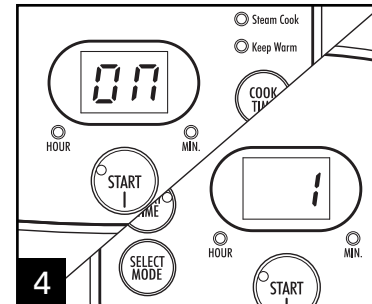


2 Appuyer sur **SELECT MODE** (choix d'un mode) jusqu'à ce que Heat/Simmer (cuire/mijoter) s'allume. Le chiffre « 5 » apparaîtra à l'afficheur. (La durée minimale est de 5 minutes.)

REMARQUE : Le durée de la cuisson lente peut être réglée jusqu'à 5 heures. Régler la durée de Heat/Simmer (cuire/mijoter) par incrément de 1 minute jusqu'à 90. Après 90 minutes, régler par incrément de 1 heure jusqu'à 5.



3 Maintenir la touche **COOK TIME** (durée de cuisson) enfoncée jusqu'à ce que la durée de « mijotage » soit atteinte. Appuyer sur **START** (commencer/I) ou le cuiseur le riz se mettra automatiquement sous tension après 5 secondes. Le cuiseur chauffera les ingrédients puis les cuira lentement selon la durée de cuisson choisie.



4 L'afficheur indiquera « ON » (en marche) pendant la cuisson et affichera la durée restante dès que la cuisson lente commence. Dès que la durée de cuisson lente est atteinte, le cuiseur passera automatiquement au Keep Warm (garde au chaud).

REMARQUE : Le cuiseur de riz commence immédiatement à chauffer les liquides. Le début de la cuisson lente dépend des quantités de liquide et d'aliments contenus dans le cuiseur de riz.

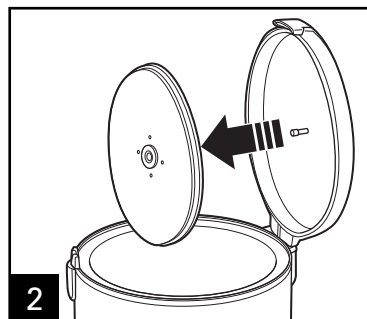
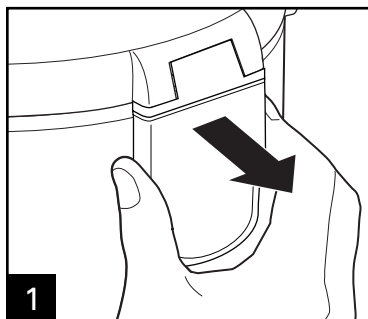
AVERTISSEMENT ! Risque de brûlure : Ne jamais utiliser la poignée pour transporter le cuiseur contenant des aliments chauds. La vapeur s'échappant de l'évent peut provoquer des blessures.

25

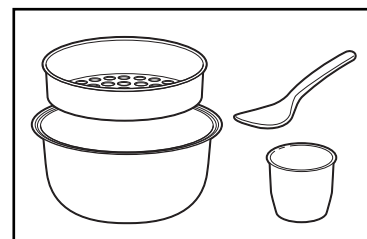
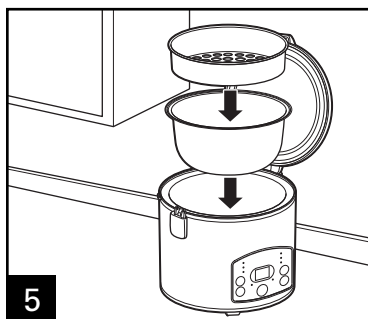
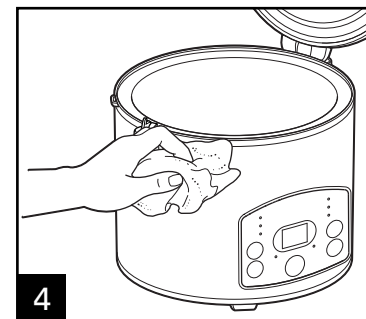
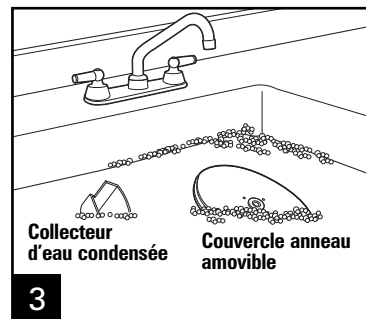
Nettoyage

⚠ AVERTISSEMENT Risque d'électrocution.

Ne pas immerger la base, le cordon ou la fiche dans l'eau ou tout autre liquide.



L'anneau du couvercle est amovible et peut être lavé à la main.



LAVABLE AU LAVE-VAISSELLE

NE PAS utiliser le réglage "SANI" du lave-vaisselle. Les températures du cycle "SANI" peuvent endommager le produit.

Conseils et tableau de cuisson à la vapeur des légumes

TYPE DE LÉGUME	RÉGLAGE	QUANTITÉ D'EAU	DURÉE DE CUISSON
Légumes plus souples (par exemple, courgette, courge)	Steam Cook (Cuisson à la vapeur)	Remplir le pot jusqu'à la ligne « 4 »	4 à 7 minutes
Légumes plus fermes (par exemple, brocoli, maïs sur épi, carottes)	Steam Cook (Cuisson à la vapeur)	Remplir le pot jusqu'à la ligne « 4 »	7 à 15 minutes

- Plus il y a de légumes dans le panier cuit-vapeur, plus ils prendront longtemps à cuire.
- Les morceaux plus petits de légumes cuiront plus vite que les plus gros.
- Laisser reposer le riz environ 5 à 10 minutes après la cuisson pour obtenir une texture de riz optimale.
- Rehausser la saveur des légumes ou du riz en substituant une quantité égale de bouillon de poulet, de bœuf ou de légumes à l'eau.
- Remarquer que les durées de cuisson à la vapeur indiquées sont approximatives et utilisées comme référence seulement.
- La durée de cuisson peut varier selon la durée programmée basée selon les quantités actuelles d'ingrédients et d'eau. Le cuiseur de riz ajustera la durée selon le besoin.

Recettes

Haricots secs

1 lb (454 g) de haricots secs (toutes variétés)
8 tasses (1,9 L) d'eau
1/8 cuillère à café (0,6 ml) de bicarbonate de soude
1 oignon moyen en quartiers
1 cuillère à soupe (15 ml) d'huile d'olive
Sel et poivre au goût

Trier les haricots pour retirer tous les cailloux ou tiges. Déposer les haricots dans une passoire et bien rincer. Déposer les haricots dans le pot de cuisson. Ajouter l'eau, le bicarbonate de soude, l'oignon et l'huile d'olive.

Réglage du cuiseur : Delay Start (mise en marche différée)
(au moins 6 heures ou toute la nuit)
Heat/Simmer (cuire/mijoter) :
1 1/2 heure

Assaisonner avec sel et poivre au goût.

Portions : 12

Soupe aux lentilles

2 cuillères à soupe (30 ml) d'huile d'olive
1 tasse (237 ml) de carottes hachées finement
1 tasse (237 ml) de céleri haché finement
2 cuillères à café (10 ml) de sel cachet
1 sac de lentilles de 16 oz (454 g), triées et rincées
1 boîte de 14,5 oz (411 g) de tomates rôties piquantes, broyées
2 quarts (1,9 litres) de bouillon de poulet ou de légumes
1/2 cuillère à café (2,5 ml) de coriandre moulue
1/2 cuillère à café (2,5 ml) de cumin moulu

Rincer les lentilles. Déposer tous les ingrédients dans le pot de cuisson; remuer délicatement pour bien mélanger.

Réglage du cuiseur : Heat/Simmer (cuire/mijoter) :
45 minutes

Ajouter du sel et du poivre au goût.

Portions : 6 à 8

Recettes (suite)

Riz Tex-mex

3 tasses (710 ml) d'eau
1/4 de tasse (59 ml) de coriandre hachée
2 piments Jalapeño, sans les graines
3 tasses (710 ml) de riz blanc à grain long
4 épis de maïs égrenés
1/8 cuillère à café (0,6 ml) de cumin moulu
Pot de salsa de 24 oz (710 ml)

Verser 3 tasses (710 ml) d'eau, la coriandre et les piments dans le mélangeur. Bien hacher tous les ingrédients. Verser le mélange du mélangeur et le reste des ingrédients dans le pot de cuisson.

Réglage du cuiseur : White Rice (riz blanc)

Portions : 6

Gruau à cuisson lente

2 tasses (473 ml) de gruau à l'ancienne
4 tasses (946 ml) d'eau
1/2 tasse (118 ml) de pommes séchées hachées
1 pincée de sel
1/4 de cuillère à café (1,2 ml) de cannelle
Sucre ou édulcorant au goût
2 cuillères à soupe (30 ml) de beurre, facultatif

Verser le gruau, l'eau, les pommes séchées, le sel et la cannelle dans le pot de cuisson.

Réglage du cuiseur : Delay Start (mise en marche différée) (au moins 6 heures ou toute la nuit)
Heat/Simmer (cuire/mijoter) : 5 minutes

Facultatif : Mélanger avec du sucre et du beurre.

NOTE : Cette recette peut être préparée immédiatement (sans utiliser l'option de mise en marche différée), si désirée.

Portions : 4

Conseils: Remplacer gruau à l'ancienne avec d'avoine acier coupées. Utiliser Delay Start (mise en marche différée) et régler le temps de cuisson pendant 15 minutes à Heat/Simmer (cuire/mijoter).

Recettes (suite)

Saumon à la vapeur avec riz brun

2 filets de saumon (sauvage de l'Alaska de 3 à 4 oz chacun [85 à 113 g])
2 cuillères à café (10 ml) de gingembre moulu
3 cuillères à soupe (44 ml) de sauce soya réduite en sel
1 gousse d'ail émincée
2 cuillères à café (10 ml) de cassonade
1/2 cuillère à café (2,5 ml) de flocons de chile
1 oignon vert ou échalotte, en tranches
Sel et poivre au goût
Riz brun (non cuit)

Placer le panier cuit-vapeur sur la plaque (pour récupérer tout déversement). Mélanger le gingembre, la sauce soja, l'ail, la cassonade foncée et les flocons de piments. Badigeonner les filets de poisson de cette préparation et faire mariner au réfrigérateur pendant environ 30 minutes.

Mesurer le riz brun et l'eau en suivant les instructions sur l'emballage selon la quantité de portions désirées. Fond ou bouillon de poulet ou de légumes peuvent également remplacer l'eau.

Réglage du cuiseur : Whole grain (grains entiers) — après environ 30 à 35 minutes, soulever le couvercle et déposer le panier cuit-vapeur contenant les filets de saumon.

Cuire 8 à 10 minutes de plus ou jusqu'à ce que le poisson se détache facilement à la fourchette. Déposer le saumon sur le riz et parsemez d'oignon vert tranché.

Portions : 2

Crevettes à la vapeur et légumes

1 lb (454 g) de grosses crevettes surgelées
1 tasse (237 ml) de pois « Sugar Snap ».
3/4 à 1 tasse (177 à 237 ml) de poivron rouge en tranches
1/2 à 3/4 tasse (118 à 177 ml) d'oignons en tranches
1 tasse (237 ml) d'ananas émincés (dans du jus)
1 bouteille (12 oz/355 ml) de sauce teriyaki (ou autre sauce désiré)
Riz blanc (non cuit)

Verser la quantité désirée de riz blanc et l'eau dans le pot de cuisson.

Réglage du cuiseur : White Rice (riz blanc)

Durant le cuisson du riz, couper des légumes et dégeler les crevettes sous l'eau froide du robinet. Après environ 30 à 35 minutes, placer les crevettes et les légumes dans le panier cuit-vapeur et déposer-le dans le cuiseur.

Cuire environ 10 minutes ou jusqu'à ce que les crevettes soient opaques et que les légumes soient légèrement tendres. Lorsque le cycle de cuisson est terminé, assaisonner les crevettes, légumes, ananas et riz avec la sauce teriyaki puis servir.

Portions : 4

Dépannage

PROBLÈME

CAUSE POSSIBLE/SOLUTION

Le cuiseur refuse de se mettre en marche.

- Le cuiseur n'est pas branché. S'assurer que le cuiseur de riz est branché dans une prise murale qui fonctionne correctement.

Le riz n'est pas cuit.

- Trop peu d'eau/de liquide de cuisson. Suivre le mode d'emploi inscrit sur l'emballage.
- Déposer délicatement le pot de cuisson dans la base. S'assurer que le pot de cuisson est solidement ancré en le tournant vers la gauche et vers la droite. **NOTE** : Si le pot de cuisson est croche ou tordu, il ne reposera pas correctement dans sa base et le transfert de chaleur ne sera pas uniforme. Pour remplacer le pot de cuisson, appeler le numéro sans frais du Service à la clientèle inscrit sur la page couverture de ce guide.
- Laisser reposer le riz pendant 10 à 15 minutes suivant la fin de la cuisson et que le cuiseur de riz soit passé au mode Keep Warm (garde au chaud).

Le riz est pâteux.

- Trop d'eau ajoutée dans le pot de cuisson. Réduire la quantité de liquide.

Le cuiseur de riz émet un signal sonore pendant le cycle Steam Cook (cuisson à la vapeur).

- Le pot de cuisson a chauffé à vide. Ajouter plus d'eau et appuyer sur Steam Cook (cuisson à la vapeur) pour continuer la cuisson à la vapeur ou sur **START** (commencer/I).

Le pot de cuisson ne s'insère pas.

- Appeler le numéro sans frais du Service à la clientèle inscrit sur la page couverture de ce guide.

La minuterie n'indique pas toutes les minutes ou effectue une pause de durée.

- Le cuiseur de riz règle la durée selon la sorte et la quantité de riz ainsi que l'humidité contenue dans le cuiseur de riz. Le cuiseur de riz fonctionne normalement. Il est possible que le cuiseur de riz effectue une pause de durée ou diminue considérablement la durée de cuisson dès qu'il détecte des modifications du contenu d'humidité.

Garantie limitée

Cette garantie s'applique aux produits achetés et utilisés aux É.-U. et au Canada. C'est la seule garantie expresse pour ce produit et est en lieu et place de tout autre garantie ou condition.

Ce produit est garanti contre tout défaut de matériaux et de main-d'oeuvre pour une période des cinq (5) ans à compter de la date d'achat d'origine au Canada et un (1) an à compter de la date d'achat d'origine aux É.-U. Au cours de cette période, votre seul recours est la réparation ou le remplacement de ce produit ou tout composant s'avérant défectueux, à notre gré, mais vous êtes responsable de tous les coûts liés à l'expédition du produit et le retour d'un produit ou d'un composant dans le cadre de cette garantie. Si le produit ou un composant n'est plus offert, nous le remplacerons par un produit similaire de valeur égale ou supérieure.

Cette garantie ne couvre pas le verre, les filtres, l'usure d'un usage normal, l'utilisation non conforme aux directives imprimées, ou des dommages au produit résultant d'un accident, modification, utilisation abusive ou incorrecte. Cette garantie s'applique seulement à l'acheteur original ou à la personne l'ayant reçu en cadeau. La présentation du reçu de vente d'origine comme preuve d'achat est nécessaire pour faire une réclamation au titre de cette garantie. Cette garantie s'annule si le produit est utilisé autrement que par une famille ou si l'appareil est soumis à toute tension ou forme d'onde différente des caractéristiques nominales précisées sur l'étiquette (par ex. : 120 V ~ 60 Hz).

Nous excluons toutes les réclamations au titre de cette garantie pour les dommages spéciaux, consécutifs et indirects causés par la violation de garantie expresse ou implicite. Toute responsabilité est limitée au prix d'achat. **Chaque garantie implicite, y compris toute garantie ou condition de qualité marchande ou d'adéquation à un usage particulier, est exonérée, sauf dans la mesure interdite par la loi, auquel cas la garantie ou condition est limitée à la durée de cette garantie écrite.** Cette garantie vous donne des droits légaux précis. Vous pouvez avoir d'autres droits qui varient selon l'endroit où vous habitez. Certaines provinces ne permettent pas les limitations sur les garanties implicites ou les dommages spéciaux ou indirects de telle sorte que les limitations ci-dessus ne s'appliquent peut-être pas à votre cas.

Ne pas retourner cet appareil au magasin lors d'une réclamation au titre de cette garantie. Téléphoner au 1.800.851.8900 aux É.-U. ou au 1.800.267.2826 au Canada ou visiter le site internet www.hamiltonbeach.com aux É.-U. ou www.hamiltonbeach.ca au Canada. Pour un service plus rapide, trouvez le numéro de modèle, le type d'appareil et les numéros de série sur votre appareil.

SALVAGUARDIAS IMPORTANTES

Cuando utilice artefactos eléctricos, siempre deben seguirse precauciones de seguridad básicas a fin de reducir el riesgo de incendio, descarga eléctrica, y/o lesiones a personas, incluyendo las siguientes:

1. Lea todas las instrucciones.
2. Este aparato no se destina para utilizarse por personas (incluyendo niños) cuyas capacidades físicas, sensoriales o mentales sean diferentes o estén reducidas, o carezcan de experiencia o conocimiento, a menos que dichas personas reciban una supervisión o capacitación para el funcionamiento del aparato por una persona responsable de su seguridad.
3. Se requiere de una estrecha supervisión cuando el aparato se use cerca de niños. Los niños deben supervisarse para asegurar que ellos no empleen los aparatos como juguete.
4. Verifique que el voltaje de su instalación corresponda con el del producto.
5. No toque las superficies calientes. Use las manijas o perillas. Use guantes de cocina cuando remueva contenedores calientes.
6. Para protegerse contra un riesgo de descarga eléctrica no sumerja el cable, enchufe o base en agua u otro líquido.
7. Desconecte de la toma cuando no esté en uso. Desconecte y deje enfriar antes de poner o quitar partes y antes de limpiar.
8. No opere ningún aparato que tenga un cable o enchufe dañado o después de un mal funcionamiento del aparato, o si se ha caído o dañado de cualquier manera. Llame a nuestro número gratuito de servicio al cliente para información sobre examinación, reparación o ajuste.
9. El uso de aditamentos de accesorio no recomendados por el fabricante del aparato puede causar lesiones.
10. No use en exteriores.
11. No deje que el cable cuelgue del borde de la mesa o cubierta, o que toque superficies calientes, incluyendo la estufa.
12. No coloque sobre o cerca de un quemador caliente de gas o eléctrico, o sobre un horno calentado.
13. Se debe tener precaución extrema cuando se mueve un aparato que contenga aceite caliente, comida caliente, agua u otros líquidos calientes.
14. Para desconectar, presione **CANCEL** (cancelar/O), luego desconecte de la toma de la pared.
15. No use el aparato para otro uso que no sea para el que fue hecho.
16. Levante y abra la cubierta cuidadosamente para evitar escaldaduras, y permita que el agua escurra a la olla.
17. **PRECAUCION:** Riesgo de descarga eléctrica. Cocine sólo en el contenedor removible.
18. No coloque la unidad directamente bajo gabinetes cuando esté funcionando ya que este producto produce grandes cantidades de vapor. Evite tratar de alcanzar algo por arriba cuando esté funcionando.

¡GUARDE ESTAS INSTRUCCIONES!

Otra Información de Seguridad para el Cliente

Este aparato está planeado para uso doméstico.

¡ADVERTENCIA! Peligro de Descarga Eléctrica: Este aparato cuenta con un enchufe polarizado (una pata más ancha) que reduce el riesgo de una descarga eléctrica. El enchufe embona únicamente en una dirección dentro de un tomacorriente polarizado. No trate de obviar el propósito de seguridad del enchufe modificándolo de alguna manera o utilizando un adaptador. Si el enchufe no entra completamente en la toma, invierta el enchufe. Si aún no entra, haga que un electricista reemplace la toma.

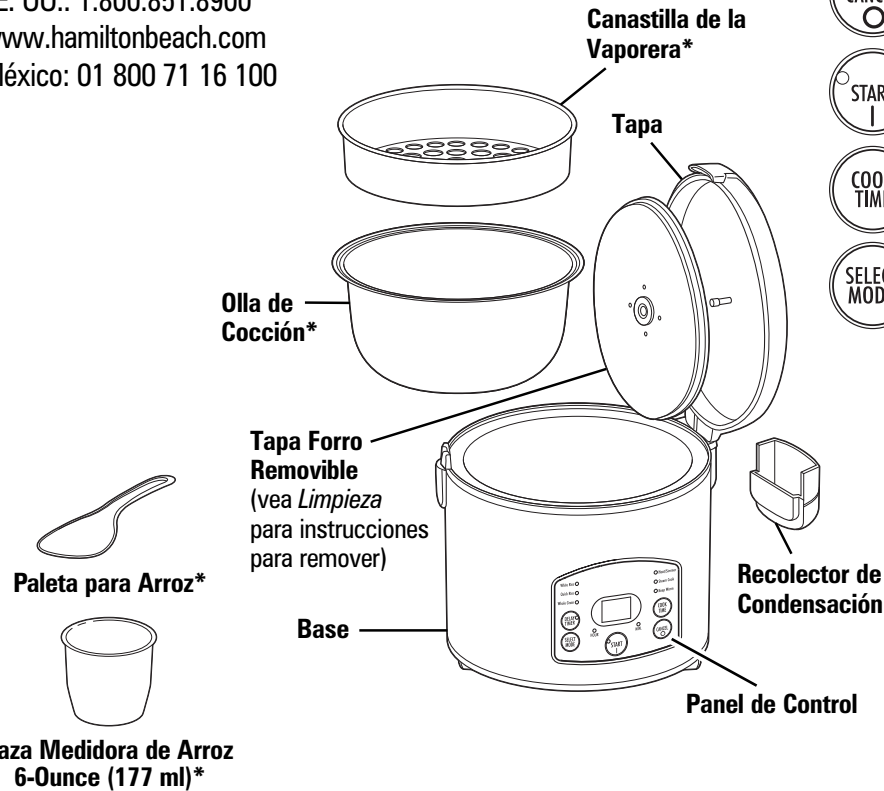
El largo del cable que se usa en este aparato fue seleccionado para reducir el peligro de que alguien se enganche o tropiece con un cable más largo. Si es necesario usar un cable más largo, se podrá usar un cable de extensión aprobado. La clasificación eléctrica nominal del cable de extensión debe ser igual o mayor que la clasificación nominal del aparato. Es importante tener cuidado de colocar el cable de extensión para que no se pliegue sobre el mostrador o la mesera en donde niños puedan tirar del mismo o tropezarse accidentalmente.

Para evitar una sobrecarga eléctrica del circuito, no use otro aparato de alto voltaje en el mismo circuito con este aparato.

33

Piezas y Características

*Para ordenar partes:
 EE. UU.: 1.800.851.8900
 www.hamiltonbeach.com
 México: 01 800 71 16 100



Use para retrasar el tiempo de inicio (hasta 15 horas) para cualquier función EXCEPTO Keep Warm (mantener caliente).



Presione para apagar la vaporera.



Presione para comenzar la cocción.



Utilice para configurar el tiempo de cocción sólo para los modos Steam Cook (cocción al vapor) y Heat/Simmer (calentar/fuego lento).



Utilice para seleccionar el arroz o el tipo de cocción.

WHITE RICE (arroz blanco): Use para cocinar arroz blanco por un tiempo programado de cocción.

QUICK RICE (arroz rápido): Utilice para cocinar el arroz más rápido. Este programa elimina el ciclo de remojo de arroz.

WHOLE GRAIN (integral): Use para cocinar arroz integral y otros granos (que no sea arroz blanco) por un tiempo preprogramado de cocción.

HEAT/SIMMER (calentar/fuego lento): Use con mezclas de arroz preempacadas, sopas, guisados, frijoles, avena, cereales calientes, granos y otros alimentos que requieran el calor y cocinar a fuego lento. Esta función calienta y luego cocina a fuego lento durante el tiempo seleccionado.

STEAM COOK (cocción al vapor): Use para cocinar con vapor por un tiempo a vapor seleccionado. El tiempo de cocimiento a vapor puede ajustarse a 0 (para sólo hervir agua) a 30 minutos.

KEEP WARM (mantener caliente): La unidad cambia automáticamente a la función Keep Warm (mantener caliente) después de cada función CON EXCEPCIÓN de Steam Cook (cocción al vapor).

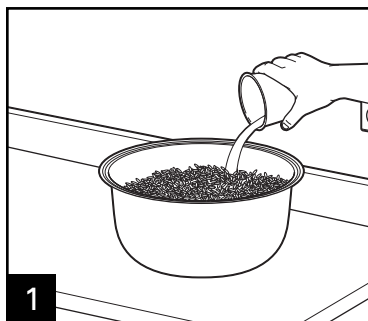
Cómo Preparar Arroz

INFORMACIÓN DEL TAZA MEDIDORA DE ARROZO

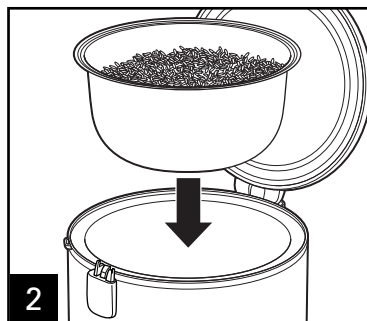
NOTA: No tire la taza del medidora de arroz que viene con su unidad. Esta es una herramienta importante para usar su arrocera exitosamente y su tamaño es estándar en la industria del arroz. Una taza del medidor de arroz no es igual a una taza de EU estándar (la taza del medidora de arroz es de 6 onzas/177 ml o aproximadamente 3/4 de una taza de EU).

⚠ ADVERTENCIA Peligro de Descarga Eléctrica. Cocine sólo en la olla de cocción removible. Nunca coloque agua o alimento directamente en la base.

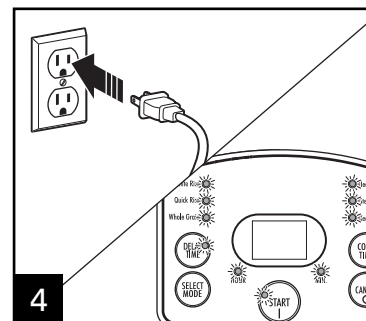
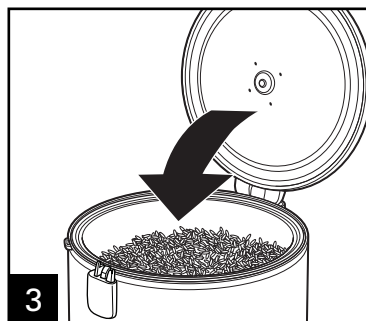
ANTES DE USAR POR PRIMERA VEZ: Lave la olla de cocción siguiendo las instrucciones de *Limpieza*; seque completamente.



Agregue la cantidad deseada de arroz sin cocer a la olla; luego llene con agua hasta la línea de agua correspondiente. Ejemplo: Para 3 tazas de arroz, agregue 3 tazas medidoras rasas de arroz y luego agregue agua hasta la línea "3". No sobrepase la línea de llenado de 10 Tazas.

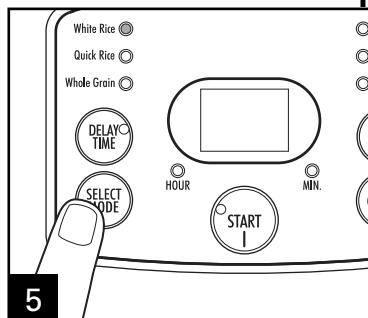


Coloque cuidadosamente la olla de cocción derecha sobre la base. Asegúrese que la olla de cocción esté sentada de manera segura girando la olla de izquierda a derecha. **NOTA:** Asegúrese que el fondo de la olla de cocción no esté doblado o deformado o no conducirá el calor correctamente.

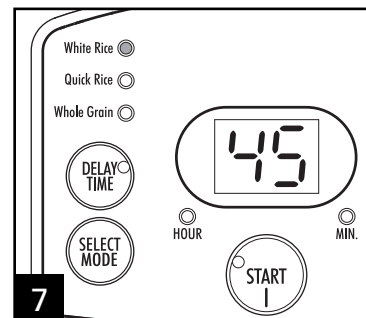
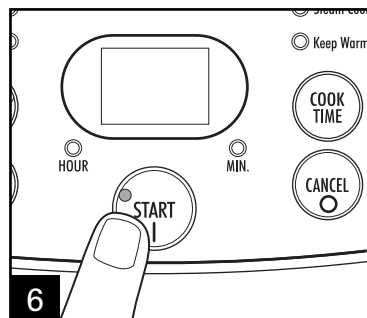


Enchufe en el tomacorriente de pared; todas las luces titilarán en el panel de control. Si no se selecciona un programa, o después de presionar **CANCEL** (cancelar/O), el panel de control de la arrocera titilará por 15 segundos y la arrocera se apagará.

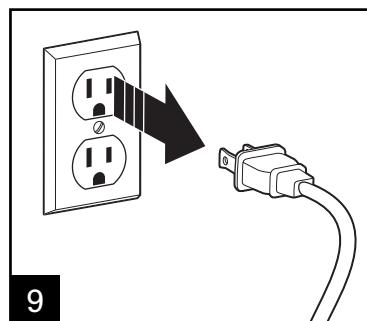
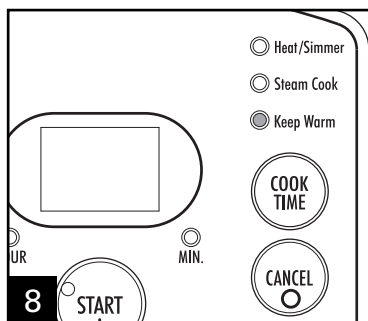
Cómo Preparar Arroz (cont.)



Presione **SELECT MODE** (seleccionar modo) para seleccionar White Rice (arroz blanco), Quick Rice (arroz rápido) o Whole Grain (integral). Se encenderá la luz de la función seleccionada. Para mezclas de arroz en paquete, ver *Cómo Configurar Calentar/Fuego Lento*. Presione **START** (iniciar/I) para comenzar la cocción o la unidad se activará en 5 segundos.



Una vez que se selecciona un modo, puede visualizarse el tiempo pre-determinado para ese modo. La arrocera digital ajustará el tiempo de cocción a través del ciclo de cocción en base a la cantidad de arroz y humedad de la arrocera. Usted notará que la arrocera detendrá el tiempo o disminuirá en forma significativa el tiempo de cocción a medida que cambia el contenido de humedad.



Cuando termine de cocer, la olla cambiará a Keep Warm (mantener caliente) y la luz se iluminará. En la pantalla podrá verse el tiempo de Keep Warm (mantener caliente) por hasta 12 horas. Después de 12 horas, la arrocera se apagará. O presione **CANCEL** (cancelar/O) para apagar. **CONSEJO:** Si usted prefiere un arroz más cocido, deje que el arroz cocido permanezca en Keep Warm (mantener caliente) durante por lo menos 10 a 15 minutos.

NOTA: Vacíe el recolector de condensación según sea necesario durante el cocimiento.

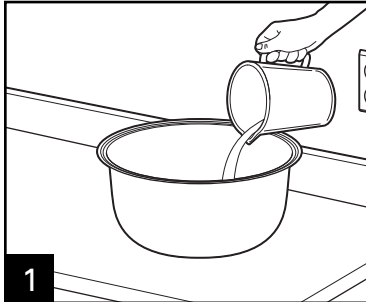
CONSEJO: El programa Quick Rice (arroz rápido) puede preparar arroz blanco o integral.

¡ADVERTENCIA! Peligro de Quemarse: Nunca use la manija de la tapa para llevar la arrocera cuando el contenido esté caliente. El vapor que sale de la ventila puede causar lesiones.

Cómo Cocinar Alimentos a Vapor

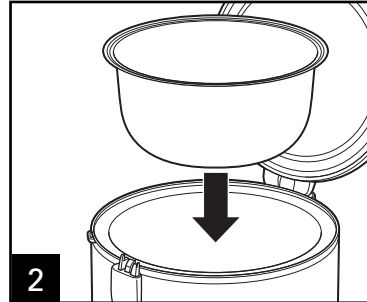
⚠ ADVERTENCIA Peligro de Descarga Eléctrica. Cocine sólo en la olla de cocción removible y canastilla de la vaporera. Nunca coloque agua o alimento directamente en la base.

ANTES DE USAR POR PRIMERA VEZ: Lave la olla de cocción siguiendo las instrucciones de *Limpieza*; seque completamente.



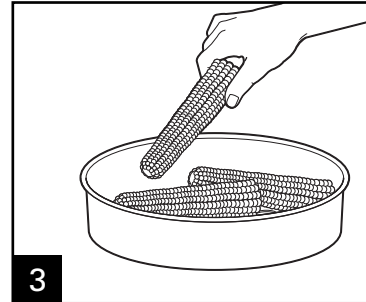
1

Vacíe la cantidad deseada de agua en la olla de cocción.

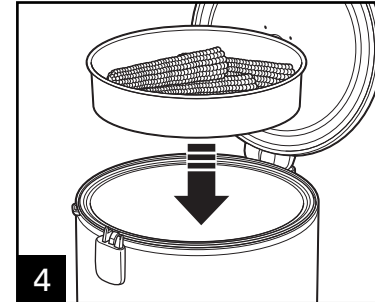


2

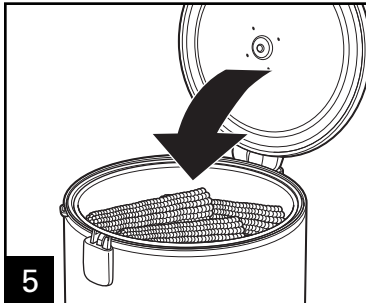
Coloque cuidadosamente la olla de cocción derecha sobre la base. Asegúrese que la olla de cocción esté sentada de manera segura girando la olla de izquierda a derecha.



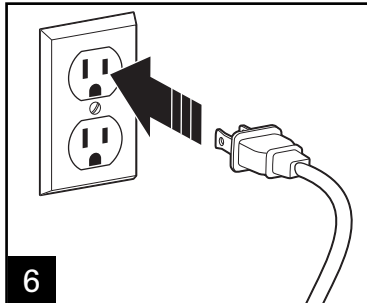
3



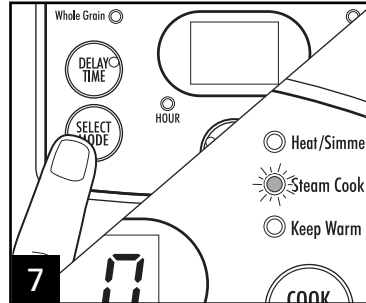
4



5

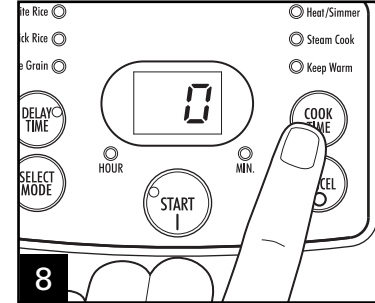


6



7

Presione **SELECT MODE** (seleccionar modo) hasta que se encienda Steam Cook (cocción al vapor).

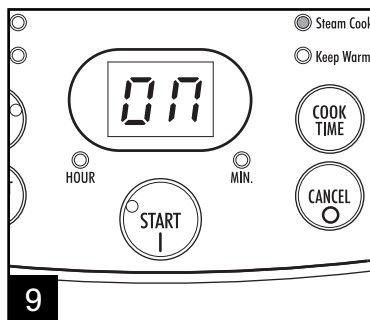


8

Presione **COOK TIME** (tiempo de cocción) para configurar el tiempo de vapor de 0 a 30 minutos. Presione **START** (iniciar/I).

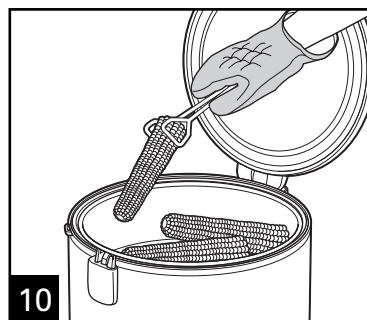
37

Cómo Cocinar Alimentos a Vapor (cont.)

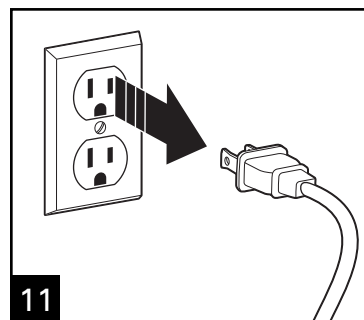


En la pantalla podrá verse "ON" (encendido) durante el proceso de calentamiento, y la cuenta regresiva del tiempo programado una vez que haya comenzado la cocción por vapor.

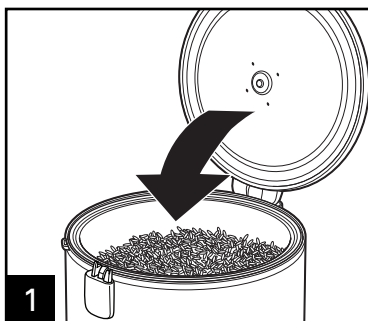
¡ADVERTENCIA! Peligro de Quemarse: Nunca use la manija de la tapa para llevar la arrocera cuando el contenido esté caliente. El vapor que sale de la ventila puede causar lesiones.



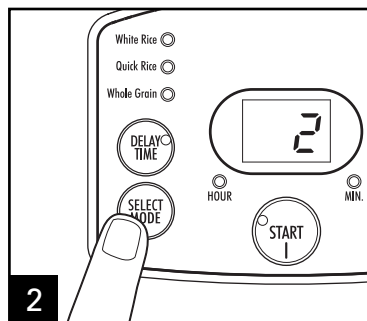
NOTA: Si la olla hierve en seco, la arrocera emitirá un pitido y el tiempo restante titilará en la pantalla. Para continuar con la cocción al vapor, agregue más agua. La unidad reanudará la cocción por vapor si se agrega agua antes de los 3 minutos. Después de 3 minutos, presione **CANCEL** (cancelar/O) para cancelar la función de vapor. Presione **SELECT MODE** (seleccionar modo) hasta que se encienda Steam Cook (cocción al vapor) y configure el tiempo de cocción.



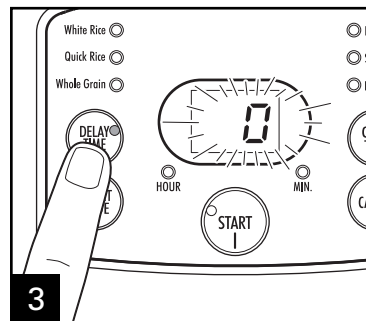
Cómo Ajustar Tiempo de Inicio Retardo



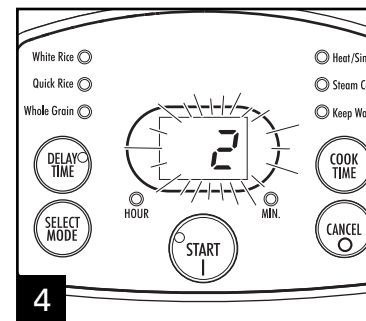
Delay Time (tiempo de retardo) puede utilizarse con White Rice (arroz blanco), Whole Grain (integral), Heat/Simmer (calentar/fuego lento) y Steam Cook (cocción al vapor). Coloca el agua y los alimentos en la olla de cocción o los alimentos en la canastilla de la vaporera. Ver *Cómo Cocinar Alimentos a Vapor*.



Presione **SELECT MODE** (seleccionar modo) para configurar la función de cocción. Configure el tiempo si utiliza Heat/Simmer (calentar/fuego lento) o Steam Cook (cocción al vapor).



Presione **DELAY TIME** (tiempo de retardo). La pantalla parpadeará "0." Continúe presionando **DELAY TIME** (tiempo de retardo) para configurar el tiempo de retardo en 1 a 15 horas. Presione **START** (iniciar/I) para comenzar la cuenta regresiva del tiempo de retardo o la arrozera se accionará automáticamente después de 5 segundos.



La pantalla parpadeará luego comenzará a contar regresivamente para ajustar el tiempo de retardo. Después de finalizada la cocción, la arrozera cambiará a la función Keep Warm (mantener caliente) (con excepción de Steam Cook [cocción al vapor]).

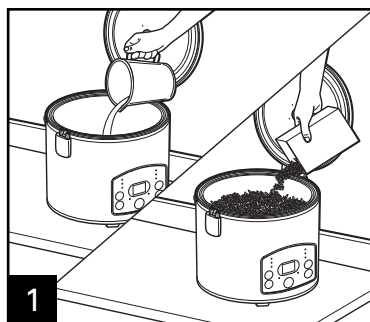
NOTAS:

- El cocimiento/vapor comenzará una vez que la unidad ha terminado la cuenta regresiva el tiempo de retardo.
- Esta función es ideal para remojar y cocinar frijoles secos.

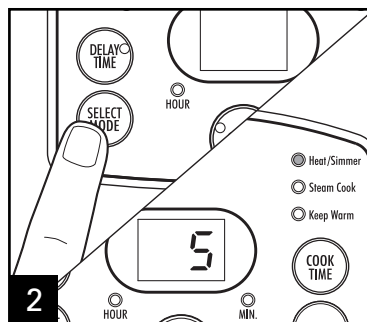
Cómo Ajustar a Hervir/Cocinar Lento

⚠ ADVERTENCIA Peligro de Descarga Eléctrica. Cocine sólo en la olla de cocción removible y canastilla de la vaporera. Nunca coloque agua o alimento directamente en la base.

ANTES DE USAR POR PRIMERA VEZ: Lave la olla de cocción siguiendo las instrucciones de Limpieza; seque completamente.

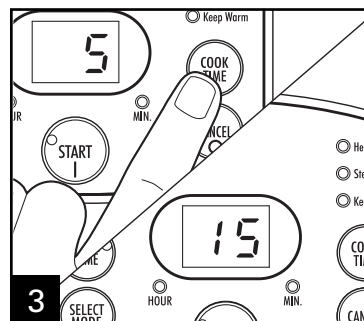


1 Coloque el agua y contenido deseado en la olla de cocción.



Presione **SELECT MODE** (seleccionar modo) hasta que se ilumine Heat/Simmer (calentar/fuego lento). El número "5" aparecerá en la pantalla. (5 minutos es la cantidad de tiempo mínima).

NOTA: El tiempo de cocción a fuego lento puede configurarse hasta en 5 horas. Configure el tiempo de Heat/Simmer (calentar/fuego lento) en unidades de 1 minuto hasta alcanzar los 90. Después de los 90 minutos, configure en unidades de 1 hora hasta alcanzar las 5 horas.

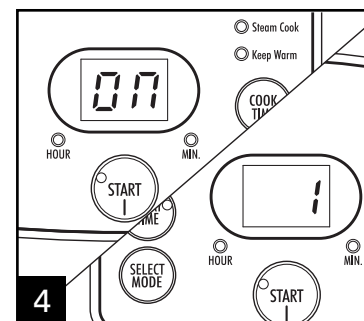


Presionando la almohadilla **COOK TIME** (tiempo de cocción) hasta seleccionar la cantidad deseada de tiempo de "cocción lenta". Presione **START** (iniciar/I) o la arrocera se activará automáticamente después de 5 segundos. La arrocera calentará el contenido y luego lo cocinará a fuego lento durante el tiempo seleccionado.

En la pantalla podrá verse "ON" (encendido) durante el proceso de calentamiento, y la cuenta regresiva del tiempo programado una vez que haya comenzado la cocción lenta. Una vez finalizado el tiempo de cocción a fuego lento, la arrocera cambiará en forma automática a la función Keep Warm (mantener caliente).

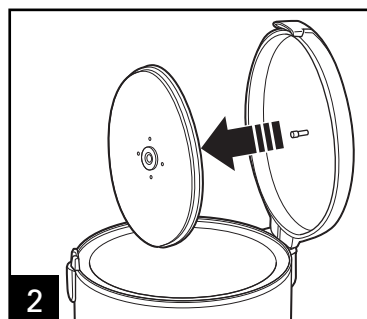
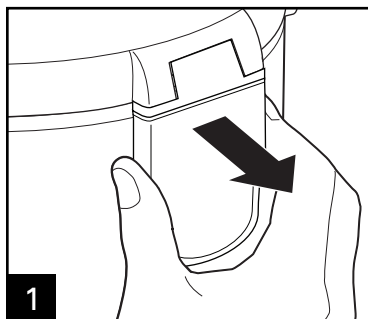
NOTA: La arrocera comienza a calentar los líquidos inmediatamente. El inicio de la cocción a fuego lento depende de las cantidades de líquido y de los alimentos colocados en la arrocera.

¡ADVERTENCIA! Peligro de Quemarse: Nunca use la manija de la tapa para llevar la arrocera cuando el contenido esté caliente. El vapor que sale de la ventila puede causar lesiones.

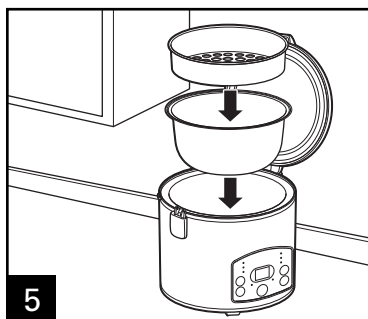
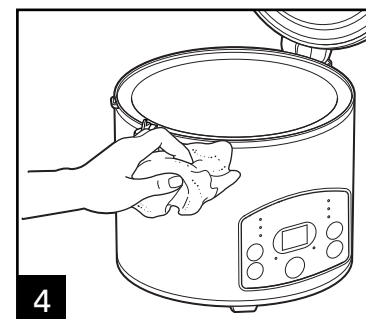
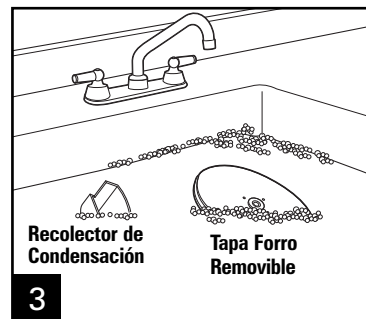


Limpieza

⚠ ADVERTENCIA Peligro de Descarga Eléctrica.
No sumerja la base, el cable o enchufe en agua u otros líquidos.



Tapa forro removible también se pueden lavar a mano.



No utilice la configuración "SANI" cuando la lave en el lavavajillas. Las temperaturas del ciclo "SANI" pueden dañar su producto.

Tabla de Cocción de Vegetales con Vapor y Consejos

TIPO DE VEGETAL	AJUSTE	CANTIDAD DE AGUA	TIEMPO DE COCCIÓN
Vegetales más blandos (ej., zucchini, calabaza)	Cocinar con vapor	Llene la olla hasta la línea "4"	4-7 minutos
Vegetales más firmes (ej., brócoli, mazorca de maíz, zanahorias)	Cocinar con vapor	Llene la olla hasta la línea "4"	7-15 minutos

- Cuantos más vegetales se agreguen a la canastilla de la vaporera, más tiempo tardará la cocción con vapor.
- Los trozos más pequeños de vegetales se cocinarán más rápidamente que los trozos más grandes.
- El dejar al arroz "reposar" por aproximadamente 5 a 10 minutos después de cocinar dará una mejor textura al arroz.
- Dé un impulso de sabor los vegetales o arroz sustituyendo una cantidad igual de caldo de pollo/res/vegetales por el agua.

- Note que los tiempos de cocción aquí enlistados son aproximados y sólo para referencia.
- El tiempo de cocción puede variar del tiempo programado en base a las cantidades reales de ingredientes y agua. La arrocera ajustará el tiempo según sea necesario.

Recettas

Frijoles Secos

1 libra (454 g) de frijoles secos (cualquier variedad)
8 tazas (1.9 L) de agua
1/8 cucharadita (0.6 ml) de bicarbonato de sodio
1 cebolla mediana, partida en cuartos
1 cucharada (15 ml) de aceite de olivo
Sal y pimienta al gusto

Seleccione los frijoles removiendo cualquier piedrita o rama. Coloque los frijoles en el colador y enjuague bien. Coloque los frijoles en la olla de cocción. Agregue agua, bicarbonato de sodio, cebolla y aceite de olivo.

Ajuste la Olla: Delay Start (inicio de retardo) (al menos 6 horas o durante la noche)

Heat/Simmer (calentar/fuego lento): 1 1/2 horas

Sazone con sal y pimienta al gusto.

Porciones: 12

Sopa de Lentejas

2 cucharadas (30 ml) de aceite de olivo
1 taza (237 ml) de zanahoria, cortada finamente
1 taza (237 ml) de apio, cortado finamente
2 cucharaditas (10 ml) sal kosher
1 bolsa (16 onzas/454 g) de lentejas, picadas y secadas
1 lata (14.5 onzas/411 g) de tomates tostados a las brasas, aplastados
2 cuartos de galón (1.9 L) de pollo o caldo vegetal
1/2 cucharadita (2.5 ml) de cilantro picado
1/2 cucharadita (2.5 ml) de comino picado

Seque las lentejas. Coloque todos los ingredientes en la olla de cocción; menee suavemente para combinar.

Ajuste la Olla: Heat/Simmer (calentar/fuego lento): 45 minutos

Sazone con sal y pimienta adicional al gusto.

Porciones: 6–8

Recettas (cont.)

Arroz Tex-Mex

3 tazas (710 ml) de agua
1/4 de taza (59 ml) de cilantro cortado
2 chiles jalapeños, con semilla
3 tazas (710 ml) de arroz blanco de grano largo
4 elotes en mazorca
1/8 cucharadita (0.6 ml) de comino molido
Jarra de 24 onzas (710 ml) de salsa

Coloque 3 tazas (710 ml) de agua, cilantro y los chiles en la licuadora. Procese hasta que todos los ingredientes estén bien cortados. Coloque la mezcla de la licuadora y los ingredientes restantes en la olla de cocción.

Ajuste la Olla: White Rice (arroz blanco)

Porciones: 6

Avena Nocturna

2 tazas (473 ml) de avena a la antigua
4 tazas (946 ml) de agua
1/2 taza (118 ml) de manzana seca, cortada
Salpique sal
1/4 de cucharadita (1.2 ml) de canela
Azúcar o edulcorante, al gusto
2 cucharadas (30 ml) de mantequilla, opcional

Coloque la avena, agua, manzanas secas, sal y canela en la olla de cocción.

Ajuste la Olla: Delay Start (inicio de retardo) (al menos 6 horas o durante la noche)

Heat/Simmer (calentar/fuego lento): 5 minutos

Opcional: Menee al agregar azúcar y mantequilla.

NOTA: Esta receta se puede hacer inmediatamente (sin usar la opción de retardo), si lo desea.

Porciones: 4

Consejo de cocina: Reemplace la avena tradicional por avena cortada al acero. Utilice Delay Time (inicio retardo) y programe el tiempo de cocción en 15 minutos en Heat/Simmer (calentar/fuego lento).

Recettas (cont.)

Salmón al Vapor con Arroz Integral

2 filetes de salmón (salvaje de Alaska, 3–4 onzas/85–113 g cada uno)
2 cucharaditas (10 ml) de jengibre molido
3 cucharadas (44 ml) de salsa de soya baja en sodio
1 diente de ajo, picado
2 cucharaditas (10 ml) de azúcar morena
1/2 cucharadita (2.5 ml) de hojuelas de chili
1 cebolla verde o shallot, rebanada
Sal y pimienta al gusto
Arroz integral (sin cocinar)

Coloque la canastilla de la vaporera en el plato (para atrapar lo que pueda caer). Mezcle el jengibre, salsa de soya, ajo, azúcar morena y hojuelas de chili. Frote los filetes con la mezcla y coloque en el refrigerador para marinar por aproximadamente 30 minutos.

Mida el arroz integral y agua de acuerdo a las indicaciones del paquete/porciones. Caldo de pollo o vegetales también puede usarse para sustituir agua.

Ajuste la Olla: Whole Grain (integral)—después de aproximadamente 30–35 minutos, levante la cubierta y agregue la canastilla de la vaporera con filetes de salmón.

Cocine por unos 8–10 minutos adicionales o hasta que el salmón se descascare fácilmente con un tenedor. Sirva el salmón sobre el arroz y rocíe con cebolla verde rebanada.

Porciones: 2

Camarones al Vapor con Verduras

1 libra (454 g) de camarón grande congelado
1 taza (237 ml) de chícharos dulces
3/4 a 1 taza (177 a 237 ml) de pimiento rojo, rebanado
1/2 a 3/4 de taza (118 a 177 ml) de cebolla, rebanada
1 taza (237 ml) de piña cortada (en jugo)
1 botella (12 onzas/355 ml) de salsa teriyaki (u otra salsa que desee)
Arroz blanco (sin cocer)

Coloque la cantidad deseada de arroz blanco y agua en la olla de cocción.

Ajuste la Olla: White Rice (arroz blanco)

Mientras se cocina el arroz, parta las verduras y descongele los camarones bajo agua fría corriendo. Después de aproximadamente 30–35 minutos, coloque los camarones y verduras en la canastilla de la vaporera y coloque la canastilla en la arrocera.

Cocine aproximadamente 10 minutos o hasta que los camarones estén opacos y las verduras ligeramente tiernas. Cuando el ciclo de cocción esté completo, revuelva los camarones, vegetales, piña y arroz con salsa teriyaki y sirva.

Porciones: 4

Resolviendo Problemas

PROBLEMA	CAUSA PROBABLE/SOLUCIÓN
La arrocera no se enciende.	La arrocera no está conectada. Asegúrese que la arrocera esté conectada en una toma eléctrica operando adecuadamente.
El arroz no está cocido.	<ul style="list-style-type: none"> • No hay suficiente agua/líquido de cocción. Siga las instrucciones del paquete. • Coloque cuidadosamente la olla de cocción derecha sobre la base. Asegúrese que la olla de cocción esté sentada de manera segura girando la olla de izquierda a derecha. NOTA: Si la olla de cocción está doblada o deformada no sentará bien en la base y, por lo tanto, no conducirá el calor adecuadamente. Para reemplazar la olla de cocción, llame al número de Asistencia al Cliente sin costo enlistado en la cubierta de esta guía. • Deje reposar el arroz de 10 a 15 minutos después de completar la cocción y que la arrocera haya pasado a Keep Warm (mantener caliente).
El arroz está blando.	<ul style="list-style-type: none"> • Se agregó mucho líquido a la olla de cocción. Reduzca el líquido.
La arrocera comienza a emitir un "bip" durante Steam Cook (cocción al vapor).	<ul style="list-style-type: none"> • La olla de cocción hirvió hasta secarse. Agregue más agua y presione Steam Cook (cocción al a vapor) para continuar cocinando a vapor o presione START (iniciar/I).
La olla de cocción no se ajusta bien.	<ul style="list-style-type: none"> • Llame al número gratuito de asistencia al cliente incluido en la tapa de esta guía.
El tiempo en visualización saltea minutos o detiene el tiempo.	<ul style="list-style-type: none"> • La arrocera está ajustando el tiempo en base al tipo de arroz y cantidad de arroz y humedad de la arrocera. La arrocera funciona perfectamente. Usted notará que la arrocera detendrá el tiempo o disminuirá en forma significativa el tiempo de cocción a medida que cambia el contenido de humedad.



Grupo HB PS, S.A. de C.V.
Monte Elbruz 124-301
Colonia Palmitas, Delegación Miguel Hidalgo
C.P. 11560, México, Distrito Federal
01 800 71 16 100

PÓLIZA DE GARANTÍA

PRODUCTO:	MARCA:		MODELO:
-----------	--------	--	---------

Grupo HB PS, S.A. de C.V. cuenta con una Red de Centros de Servicio Autorizada, por favor consulte en la lista anexa el nombre y dirección de los establecimientos en la República Mexicana en donde usted podrá hacer efectiva la garantía, obtener partes, componentes, consumibles y accesorios; así como también obtener servicio para productos fuera de garantía. Para mayor información llame sin costo: **Centro de Atención al consumidor: 01 800 71 16 100**

Grupo HB PS, S.A. de C.V. le otorga a partir de la fecha de compra:
GARANTÍA DE 1 AÑO.

COBERTURA

- Esta garantía ampara, todas las piezas y componentes del producto que resulten con defecto de fabricación incluyendo la mano de obra.
- Grupo HB PS, S.A. de C.V. se obliga a reemplazar, reparar o reponer, cualquier pieza o componente defectuoso; proporcionar la mano de obra necesaria para su diagnóstico y reparación, todo lo anterior sin costo adicional para el consumidor.
- Esta garantía incluye los gastos de transportación del producto que deriven de su cumplimiento dentro de su red de servicio.

LIMITACIONES

- Esta garantía no ampara el reemplazo de piezas deterioradas por uso o por desgaste normal, como son: cuchillas, vasos, jarras, filtros, etc.
- Grupo HB PS, S.A. de C.V. no se hace responsable por los accidentes producidos a consecuencia de una instalación eléctrica defectuosa, ausencia de toma de tierra, clavija de enchufe en mal estado, etc.

EXCEPCIONES

Esta garantía no será efectiva en los siguientes casos:
a) Cuando el producto se hubiese utilizado en condiciones distintas a las normales. (Uso industrial, semi-industrial o comercial.)
b) Cuando el producto no hubiese sido operado de acuerdo con el instructivo de uso.
c) Cuando el producto hubiese sido alterado o reparado por personas no autorizadas por Grupo HB PS, S.A. de C.V. el fabricante nacional, importador o comercializador responsable respectivo.
El consumidor puede solicitar que se haga efectiva la garantía ante la propia casa comercial donde adquirió su producto, siempre y cuando Grupo HB PS, S.A. de C.V. no cuente con talleres de servicio.

PROCEDIMIENTO PARA HACER EFECTIVA LA GARANTÍA

- Para hacer efectiva la garantía no deben exigirse mayores requisitos que la presentación del producto y la póliza correspondiente, debidamente sellada por el establecimiento que lo vendió.
- Para hacer efectiva la garantía, lleve su aparato al Centro de Servicio Autorizado más cercano a su domicilio (consulte la lista anexa).
- Si no existe Centro de Servicio Autorizado en su localidad llame a nuestro Centro de Atención al Consumidor para recibir instrucciones de como hacer efectiva su garantía.
- El tiempo de reparación, en ningún caso será mayor de 30 días naturales contados a partir de la fecha de recepción del producto en nuestros Centros de Servicio Autorizados.
- En caso de que el producto haya sido reparado o sometido a mantenimiento y el mismo presente deficiencias imputables al autor de la reparación o del mantenimiento dentro de los treinta días naturales posteriores a la entrega del producto al consumidor, éste tendrá derecho a que sea reparado o mantenido de nuevo sin costo alguno. Si el plazo de la garantía es superior a los treinta días naturales, se estará a dicho plazo.
- El tiempo que duren las reparaciones efectuadas al amparo de la garantía no es computable dentro del plazo de la misma. Cuando el bien haya sido reparado se iniciará la garantía respecto de las piezas repuestas y continuará con relación al resto. En el caso de reposición del bien deberá renovarse el plazo de la garantía.

FECHA DE ENTREGA	SELLO DEL VENDEDOR	QUEJAS Y SUGERENCIAS
DÍA__ MES__ AÑO__		Si desea hacer comentarios o sugerencias con respecto a nuestro servicio o tiene alguna queja derivada de la atención recibida en alguno de nuestros Centros de Servicio Autorizados, por favor dirigirse a: GERENCIA INTERNACIONAL DE SERVICIO 01 800 71 16 100 Email: mexico.service@hamiltonbeach.com.mx

RED DE CENTROS DE SERVICIO AUTORIZADA GRUPO HB PS, S.A. DE C.V.

Distrito Federal

ELECTRODOMÉSTICOS
Av. Plutarco Elias Calles No. 1499
Zacahuitzco MEXICO 09490 D.F.
Tel: 01 55 5235 2323 • Fax: 01 55 5243 1397

CASA GARCIA
Av. Patriotismo No. 875-B
Mixcoac MEXICO 03910 D.F.
Tel: 01 55 5563 8723 • Fax: 01 55 5615 1856

Nuevo Leon

FERNANDO SEPULVEDA REFACCIONES
Ruperto Martínez No. 238 Ote.
Centro MONTERREY, 64000 N.L.
Tel: 01 81 8343 6700 • Fax: 01 81 8344 0486

Jalisco

SERVICIOS DE MANTENIMIENTO CASTILLO
Garibaldi No. 1450
Ladrón de Guevara
GUADALAJARA 44660 Jal.
Tel: 01 33 3825 3480 • Fax: 01 33 3826 1914

Chihuahua

DISTRIBUIDORA TURMIX
Av. Paseo Triunfo de la Rep. No. 5289 Local 2 A.
Int. Hipermart
Alamos de San Lorenzo
CD. JUAREZ 32340 Chih.
Tel: 01 656 617 8030 • Fax: 01 656 617 8030

Modelo:
37541

Tipo:
RC11

Características Eléctricas:
120 V~ 60 Hz 700 W

Los modelos incluidos en el instructivo de Uso y Cuidado pueden ir seguidos o no por un sufijo correspondiente a una o varias letras del alfabeto y sus combinaciones, separadas o no por un espacio, coma, diagonal, o guión. Como ejemplos los sufijos pueden ser: "Y" y/o "MX" y/o "MXY" y/o "Z".

840213402

5/14